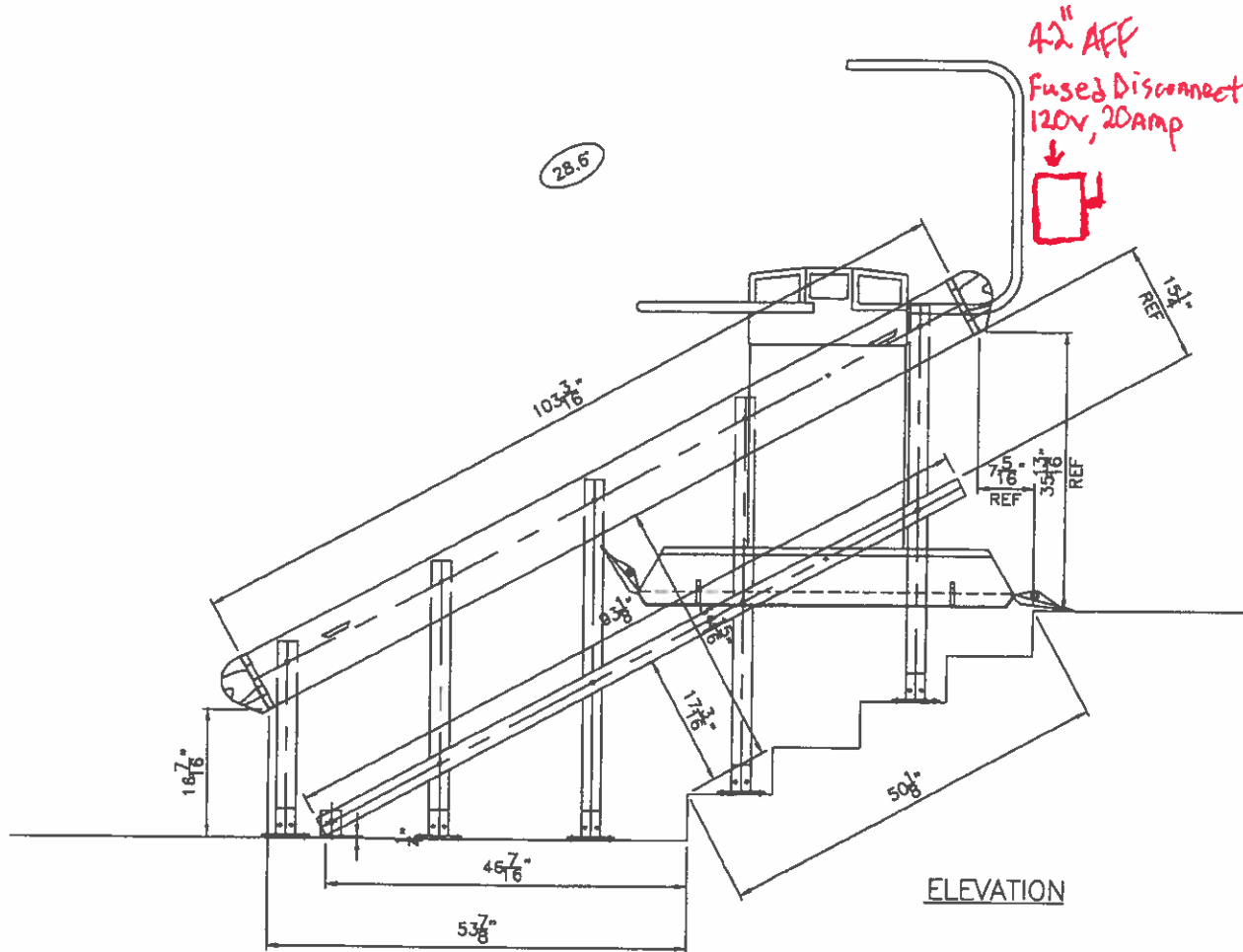


Drawing #4



STAIR INFORMATION:
 HORIZONTAL: 44"
 VERTICAL: 24"
 SLOPE: 50 1/8"
 FIRST RISER: 6"
 UNIT SIDE: LEFT
 # OF RISERS: 5
 STAIR ANGLE: 28.6°

ELEVATION

A	INITIAL RELEASE	UNITS: INCHES	04/19/21	AU	
REV.	SCALE: NTS	TOLERANCES: DIMENSIONAL ±1/16" ANGULAR ±0.5°	PROJECTION:	DATE	DRN.BY
18920 36TH AVENUE SURREY, BC, CANADA V3Z 0P6 PH: ++1 604 594 0422 FAX: ++1 604 594 9915 http://www.garaventalift.com		X3 - iGOLDD DRAWING MIDWESTERN STATE UNIV. SOUTH HARDIN 3410 TAFT BLVD. WICHITA FALLS TX Lift Aids, Inc.			64426-IG-A PAGE 2 OF 4