

## Appendix F

Drawing Notes: MSU BTU Metering project

~1/4" = 1 foot Only relevant features are shown. Wall space is heavily congested.

1 - New meter sensor location

2 - 2" conduit, existing between control panels and tunnel wire trays

3 - 110 VAC

4 - Wire trays

5 - Meter location preference

6 - New meter location option #2

7 - Existing flow sensor

8 - Existing temperature sensor

9 - Thermometers

10 - Valves

11 -

12 - New temperature sensors will not block existing wire duct on wall or the devices below it.

S - Supply

R - Return

N →

Key  
shots  
2+3

5

6

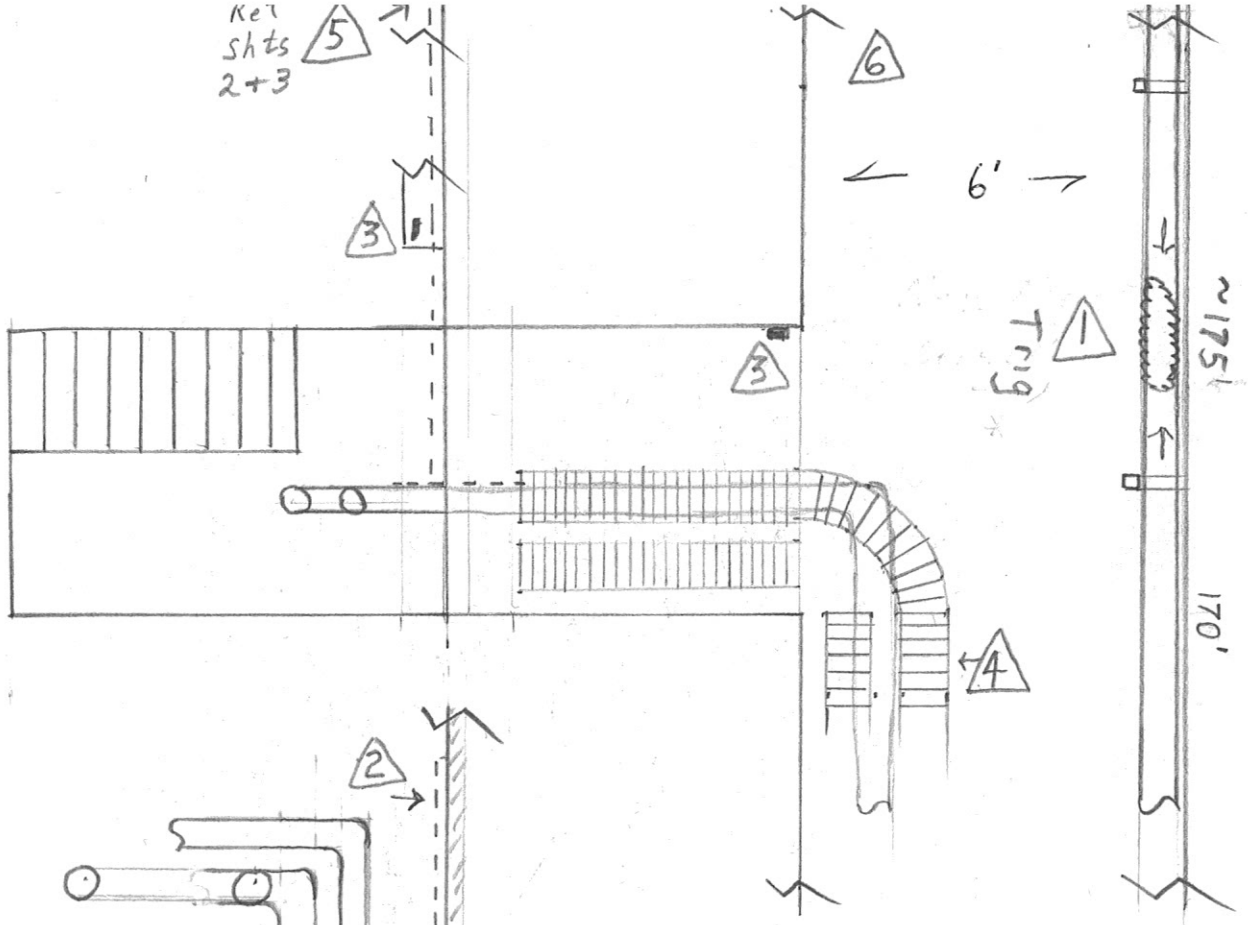
← 6' →

1  
Ting

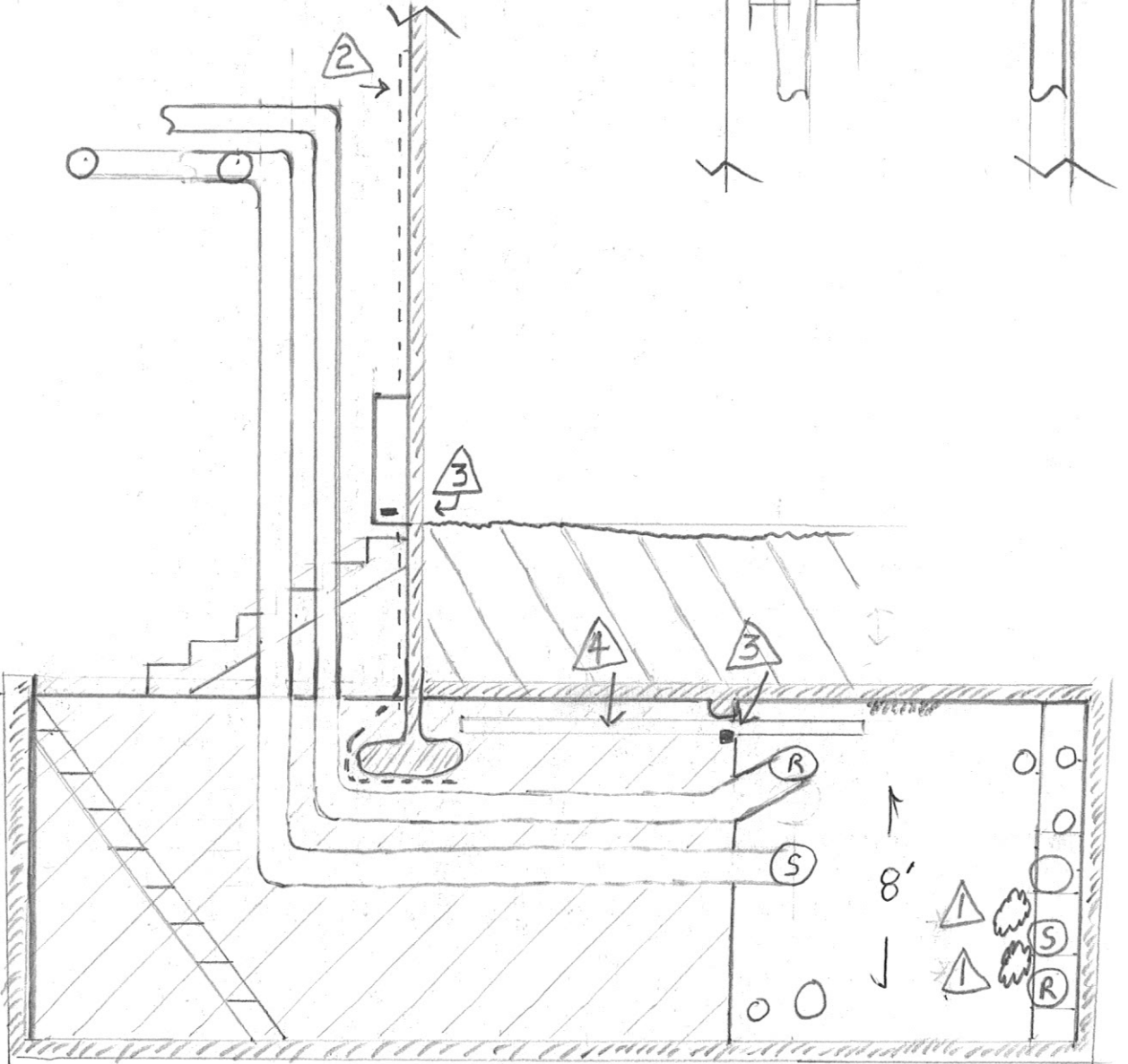
~175'

170'

Top

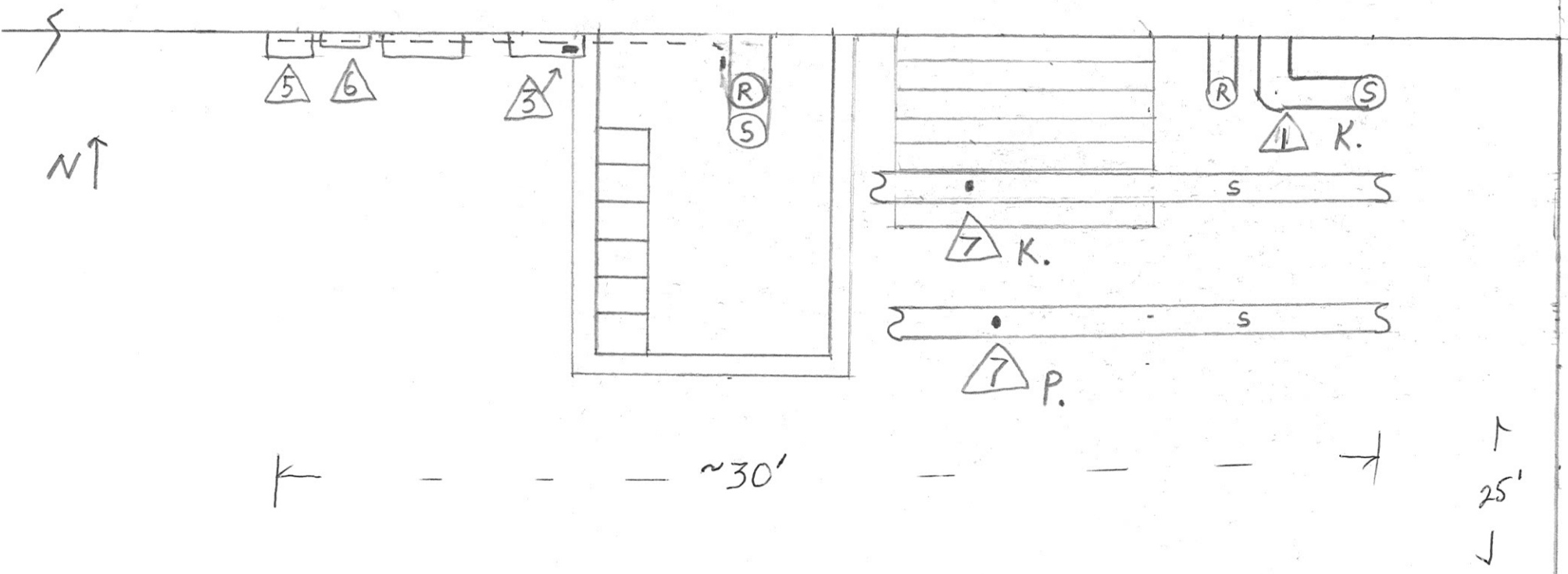


Elevation



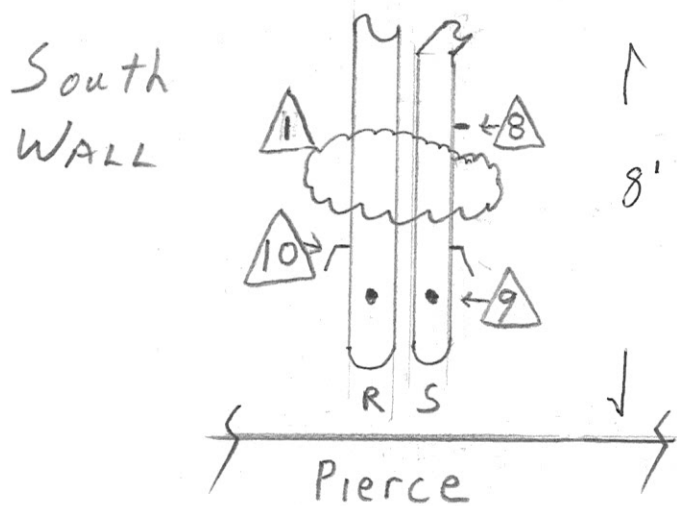
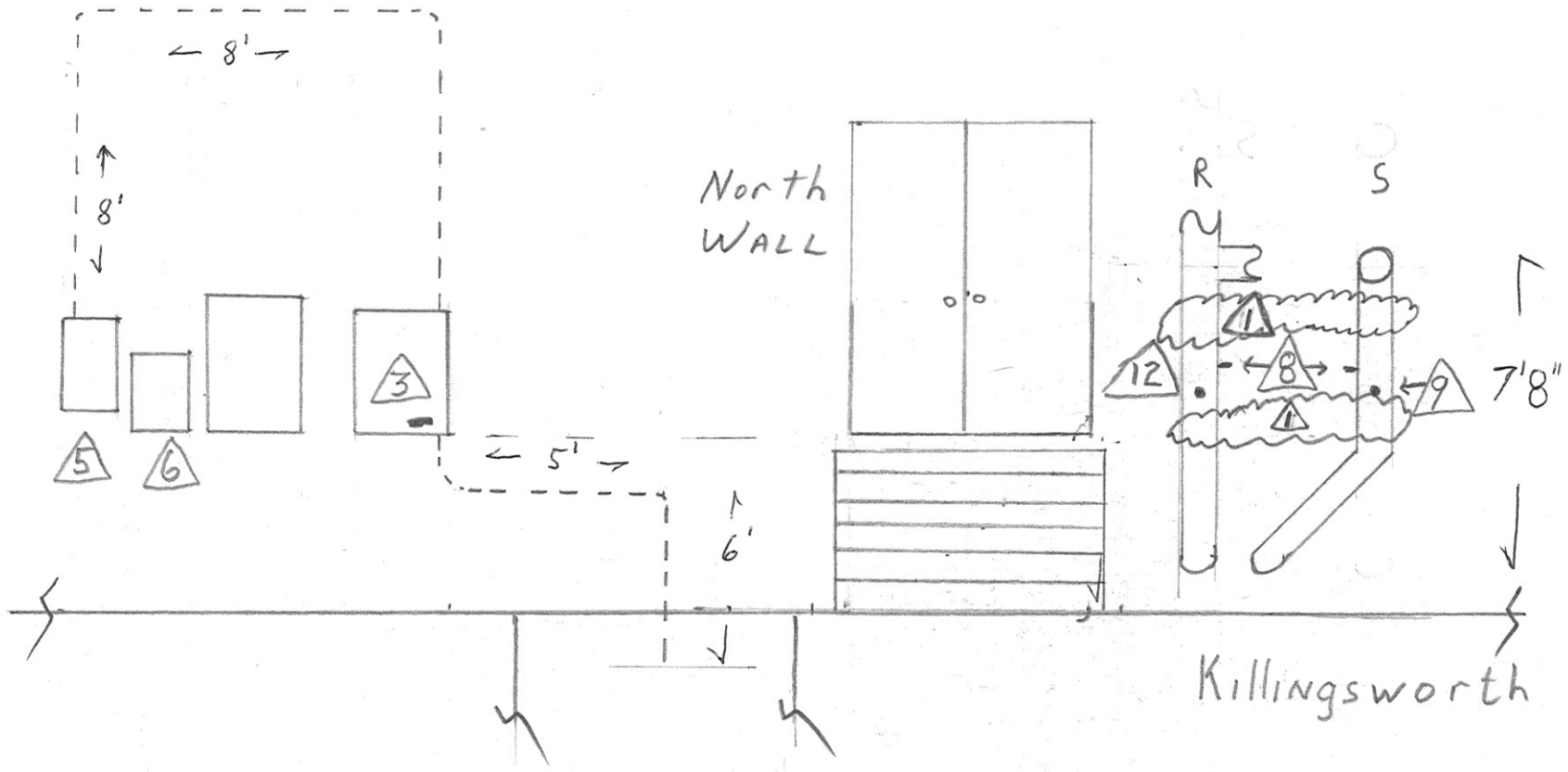
Tunnel

1ft



DMR  
Floor

1 ft



1ft