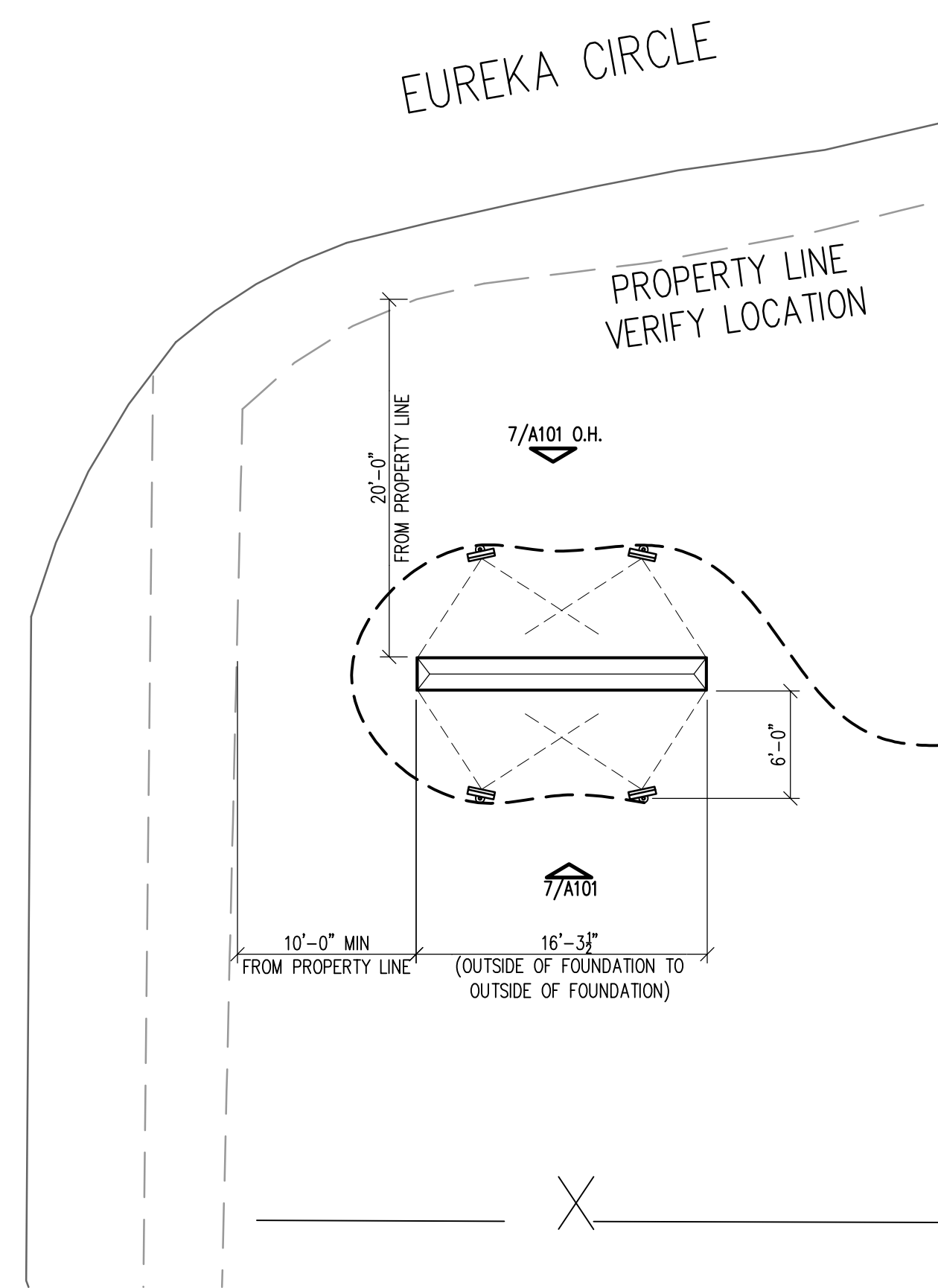


1 SITE PLAN
SCALE: 1/8"=1'-0"
0 5 10 20



2 PLAN
SCALE: 1/8"=1'-0"
0 5 10 20

LIGHTING NOTES:

PROVIDE (4) LED FIXTURES BY RAB LIGHTING

FIXTURE SPEC: RAB - FFLED18 FLDLT 18W QUADV BRONZE 5000K

PROVIDE A PHOTOCELL CONTROL DEVICE FOR MONUMENT SIGNAGE LIGHTING ON THE MSU POLICE DEPT BUILDING.

COORDINATE EXACT LOCATIONS OF ALL ON SITE W/ OWNER/ARCHITECT



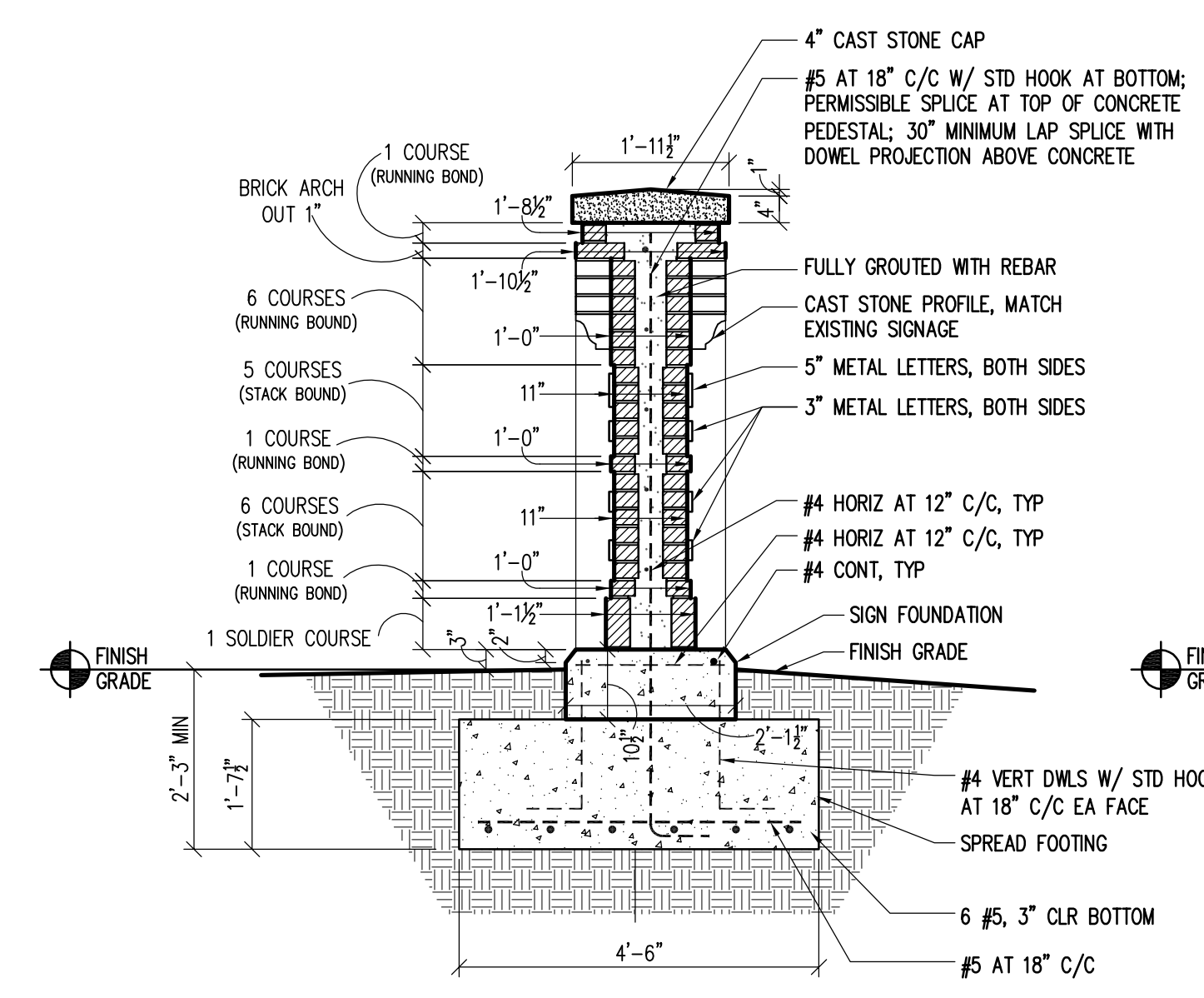
3 24" DIA BRONZE UNIVERSITY SEAL
SCALE: 1 1/2"=1'-0"
0 3" 6" 1 2

NOTES:

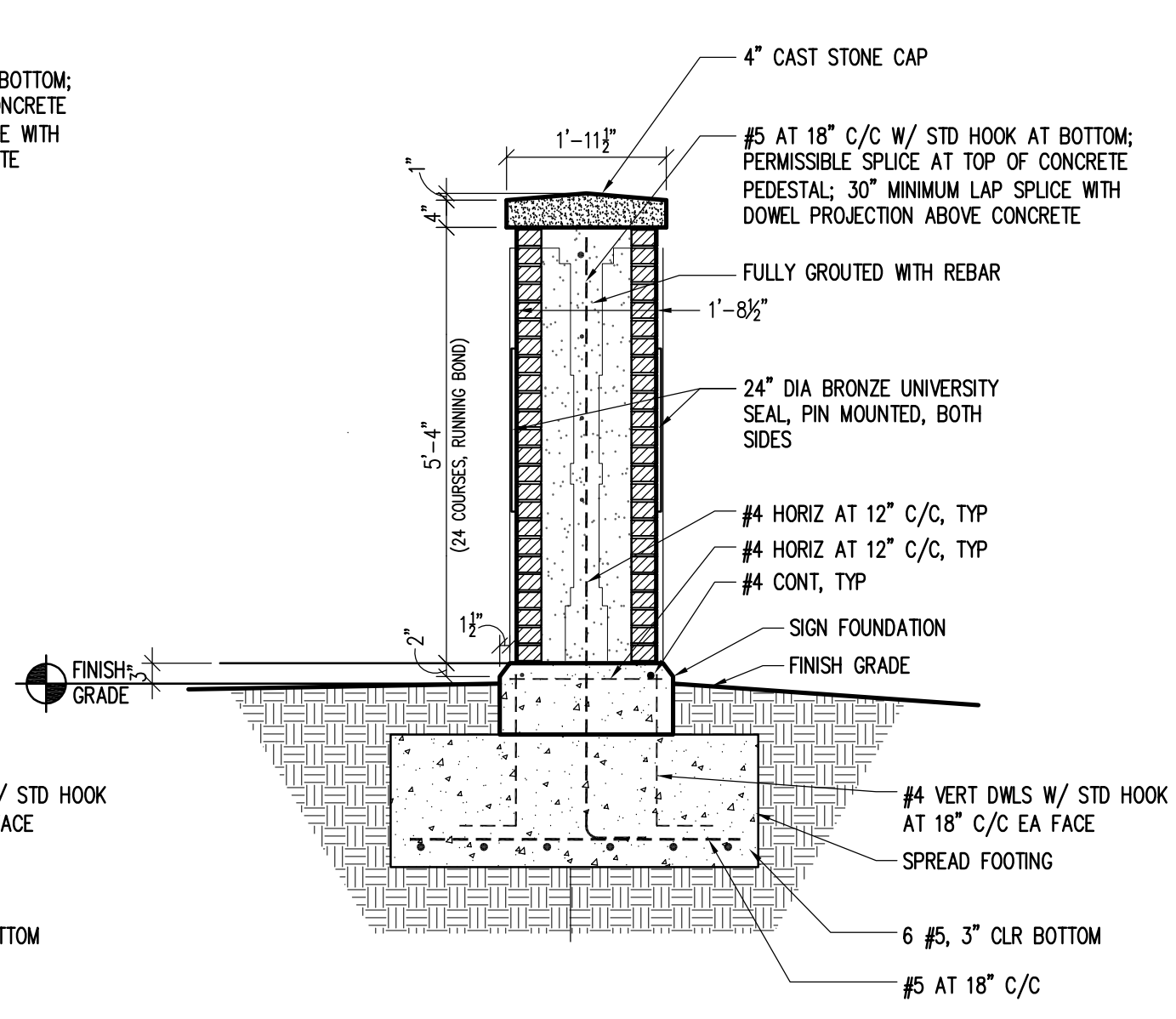
TYPE 1 FIELD BRICK - AS SELECTED BY ARCHITECT (MATCH BRICK COLOR ON REDWINE SIGN)

TYPE 2 BRICK - AS SELECTED BY ARCHITECT (MATCH BRICK COLOR ON REDWINE SIGN)

CAST STONE - TO MATCH CAST STONE ON REDWINE SIGN



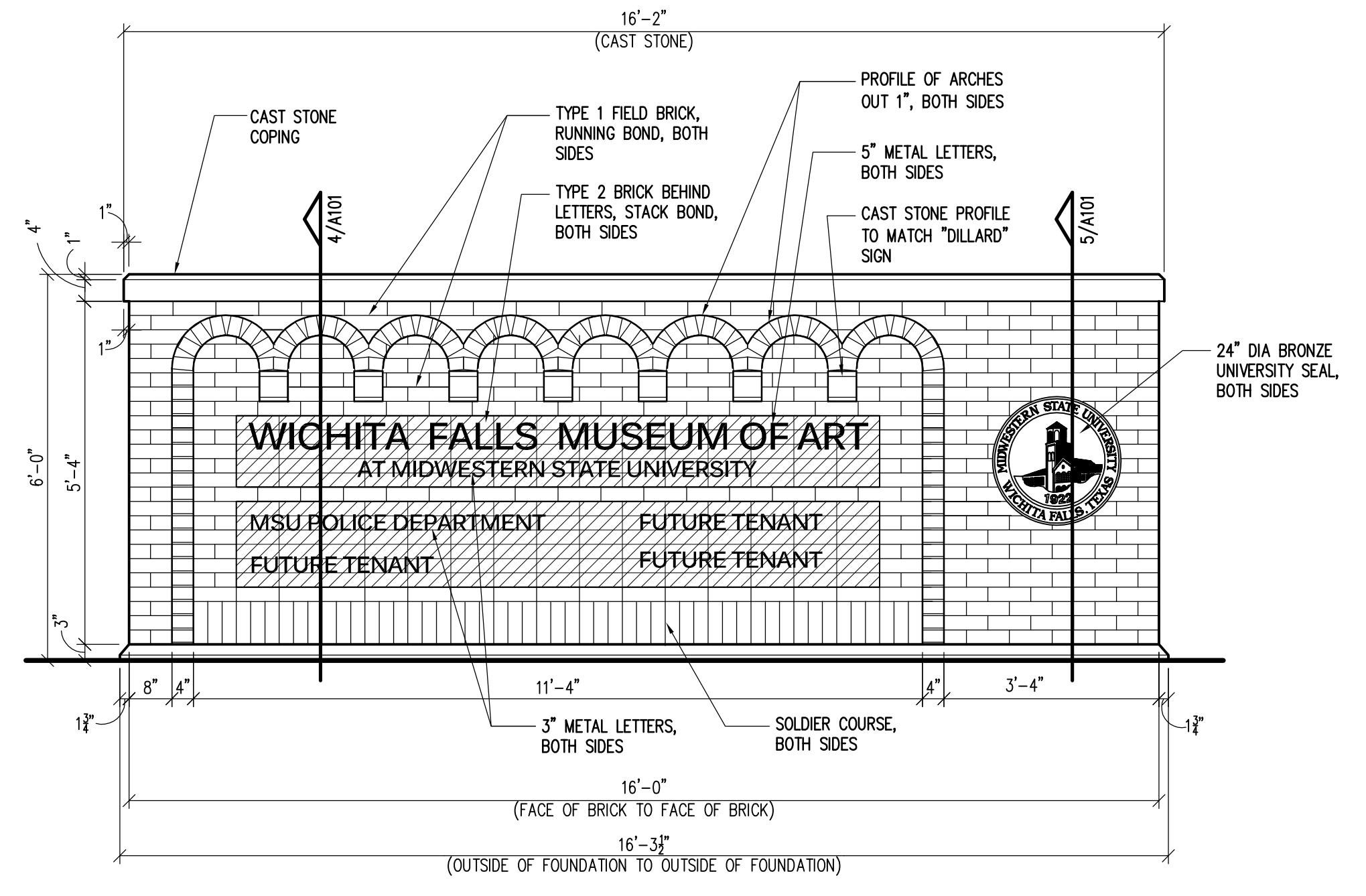
4 MONUMENT SIGN SECTION
SCALE: 1/2"=1'-0"
0 1 2 4



5 MONUMENT SIGN SECTION
SCALE: 1/2"=1'-0"
0 1 2 4

FOUNDATION GENERAL NOTES

- CONCRETE:
 - ALL CONCRETE SHALL DEVELOP 3000 PSI COMPRESSIVE STRENGTH IN 28 DAYS. CONSTRUCT ALL REINFORCED CONCRETE TO COMPLY WITH THE RECOMMENDATIONS OF ACI - 301, 305, 306, 308, 315, AND 318, LATEST EDITIONS, UNLESS NOTED OTHERWISE.
 - ALL REINFORCING SHALL CONFORM TO ASTM A615, GRADE 60.
 - NO SPLICES OF REINFORCEMENT SHALL BE MADE EXCEPT AS NOTED.
 - PROVIDE ALL ACCESSORIES NECESSARY TO SUPPORT REINFORCING AT POSITIONS SHOWN ON THE DRAWINGS.
 - DETAIL BARS IN ACCORDANCE WITH A.C.I. DETAILING MANUAL AND A.C.I. BUILDING CODE REQUIREMENTS FOR REINFORCED CONCRETE, LATEST ED.
 - LAP SLAB REINFORCING BARS A MINIMUM OF 12".
- FOUNDATIONS:
 - ALLOWABLE BEARING PRESSURE = 1,500 PSF
 - PROVIDE SITE GRADING TO CHANNEL SURFACE WATER AWAY FROM BUILDING FOUNDATION.



7 MONUMENT SIGN ELEVATION
SCALE: 1/2"=1'-0"
0 1 2 4

REV	DATE	DESCRIPTION

REGISTERED ARCHITECT
STATE OF TEXAS
6467
06/03/19

NEW MONUMENT SIGN
WICHITA FALLS
MUSEUM OF ART

MSU TEXAS
MIDWESTERN STATE UNIVERSITY

BYSP architects

1005 Ninth Street - Suite 200 - Wichita Falls, Texas 76701 (940) 761-2404
Member American Institute of Architects

DRAWN BY	ACP
CHECKED BY	RHB
DATE	06/03/19
PROJECT NO.	18080

WMA AT MSU
MONUMENT SIGN
A101