



Casework Drawings

Project Name: MSU

Project #: V162848

Phase #: 01

Rev: N

Date: 1/23/2019

Midmark Rep: Josh Veltri
jveltri@midmark.com

Designer: Jennifer Litten Ext: 128739
jlitten@midmark.com

These drawings are the sole property of Midmark Corporation and are to be used for illustration only. Actual product appearance may vary.



www.midmark.com
design@midmark.com
Phone: 1-800-MIDMARK

Project Name: **MSU**

Project #: **V162848**

Phase #: **01**

Rev: **N**

**Signed Drawings Required To
Process Order**

Color Schedule

(Signature)

(Date)

See Cover Page For Terms and Conditions

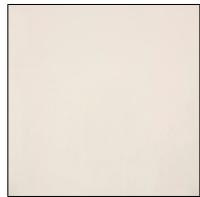
Panel Finishes

Panel Styles: Serenity

Handle Types: TBD

Handle Finishes: Brushed Nickel

Finish Colors:



Fawn

Countertop Materials

Top Materials: Solid Surface

Top Colors:



Cottage Lane



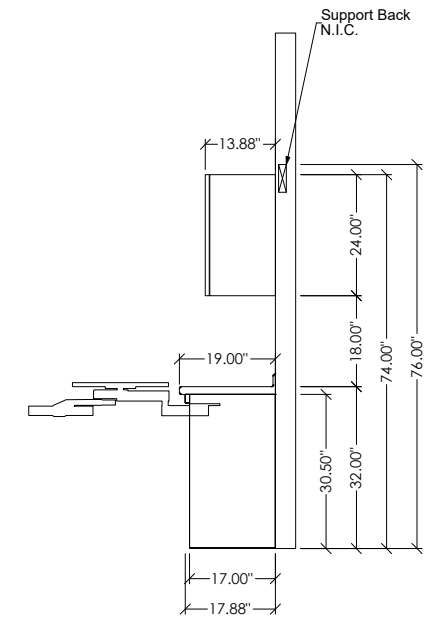
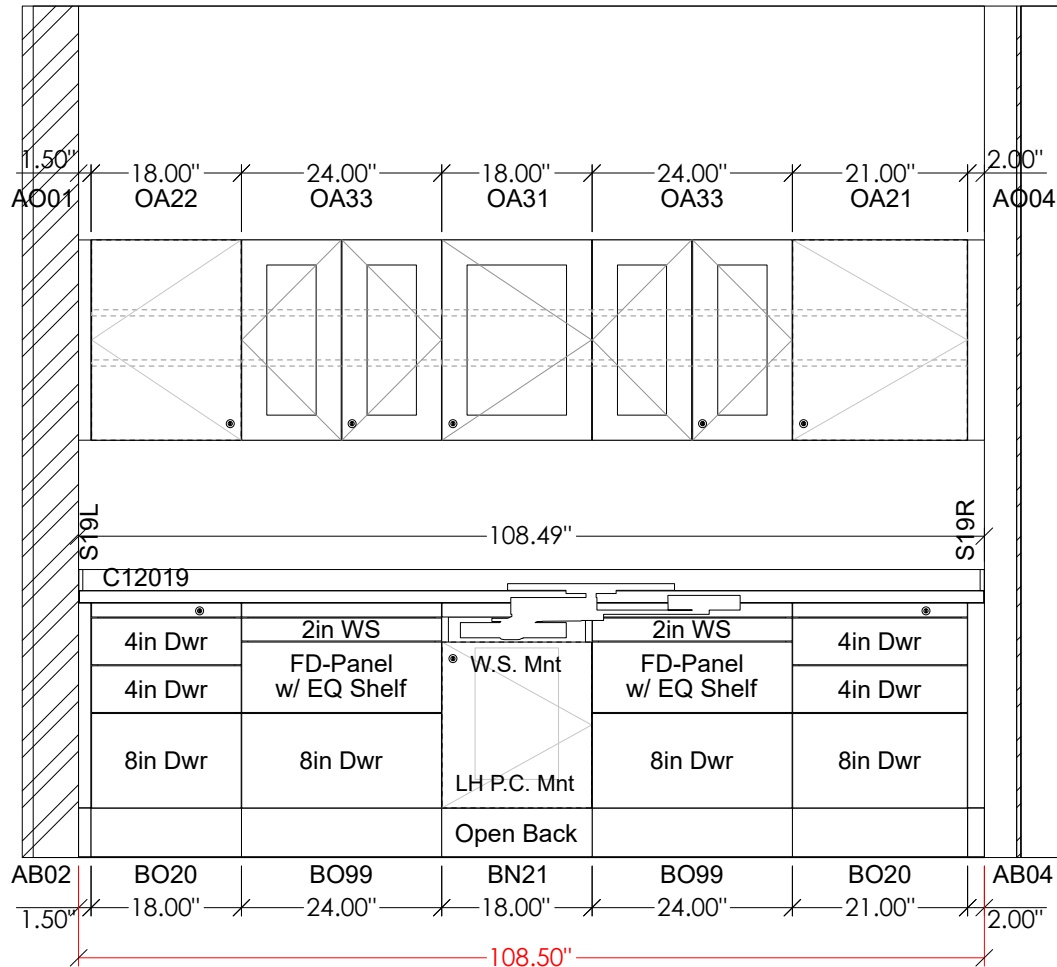
www.midmark.com
 drawings-casework@midmark.com
 Phone: 1-800-MIDMARK

Project Name: MSU	Project #: V162848	Phase #: 01	Rev: N
Base Finish: 490-Fawn	Tasklight: None	Top Material: Solid Surface	
Upper Finish: 490-Fawn	Grommet: None	Top Color: Cottage Lane	
Panel Style: Serenity Panel	Cutout: None	Note: Sink/Faucet not included	
Handle: Brushed Nickel TBD	Note:	Sink: None	
Lock: T105 Keyed Locking (See Elevation)	Note: Field Measurement Required	Faucet: None	

Signed Drawings Required To Process Order

(Signature) **(Date)**

See Cover Page For Terms and Conditions



OP 10

See Countertop Detail Sheet: Solid Surface C, Rolled Edge w/ Int BS 0.5" x 2.5"



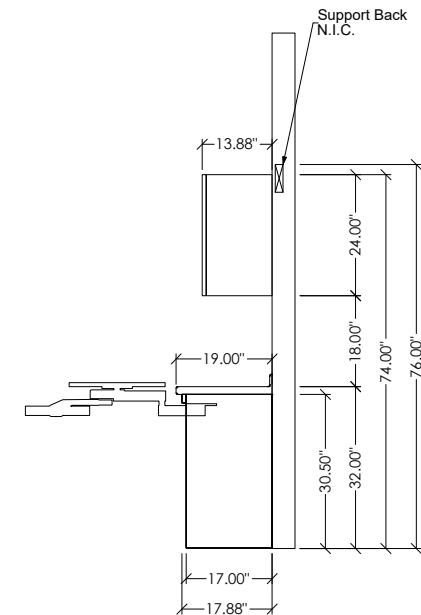
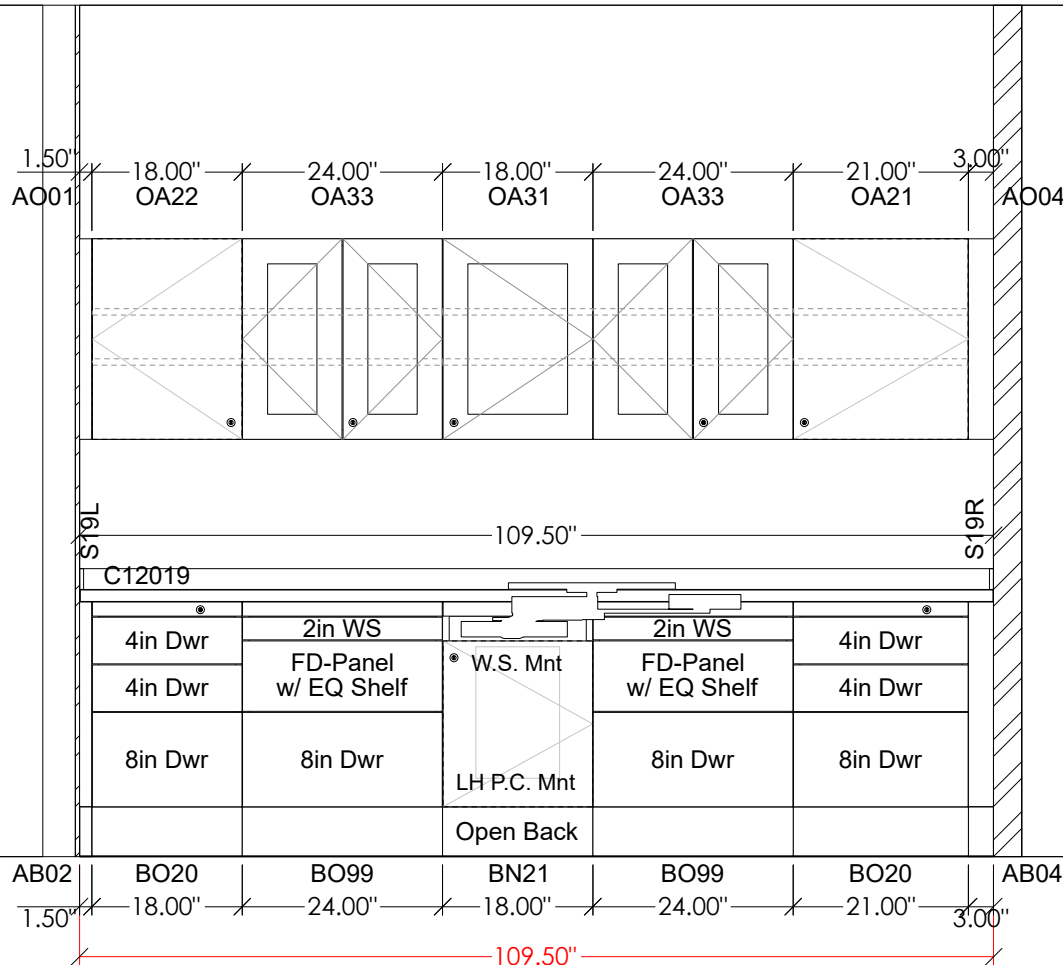
www.midmark.com
 drawings-casework@midmark.com
 Phone: 1-800-MIDMARK

Project Name: MSU	Project #: V162848	Phase #: 01	Rev: N
Base Finish: 490-Fawn	Tasklight: None	Top Material: Solid Surface	
Upper Finish: 490-Fawn	Grommet: None	Top Color: Cottage Lane	
Panel Style: Serenity Panel	Cutout: None	Note: Sink/Faucet not included	
Handle: Brushed Nickel TBD	Note:	Sink: None	
Lock: T105 Keyed Locking (See Elevation)	Note: Field Measurement Required	Faucet: None	

Signed Drawings Required To Process Order

(Signature) **(Date)**

See Cover Page For Terms and Conditions





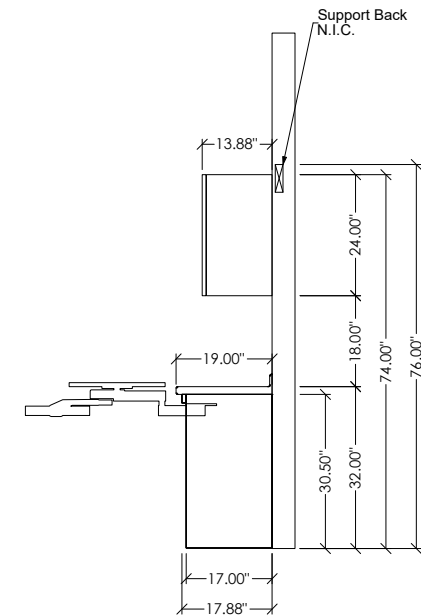
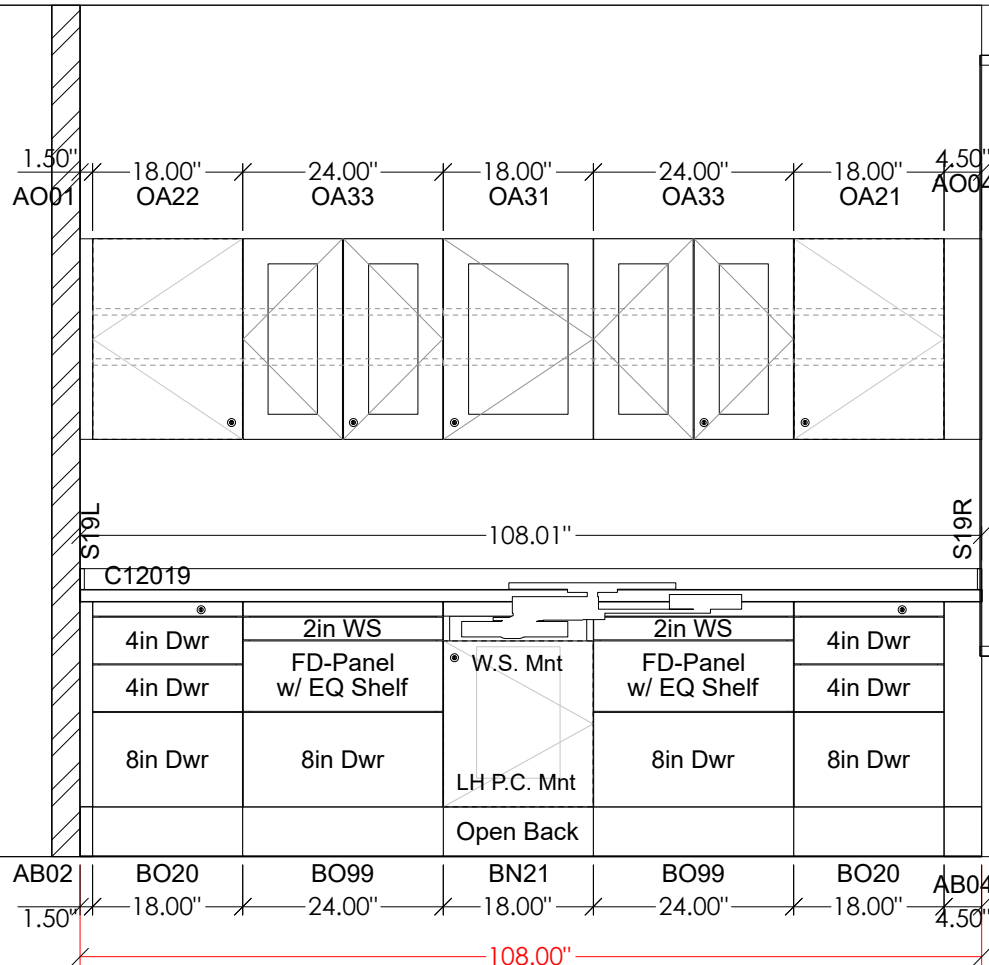
www.midmark.com
 drawings-casework@midmark.com
 Phone: 1-800-MIDMARK

Project Name: MSU	Project #: V162848	Phase #: 01	Rev: N
Base Finish: 490-Fawn	Tasklight: None	Top Material: Solid Surface	
Upper Finish: 490-Fawn	Grommet: None	Top Color: Cottage Lane	
Panel Style: Serenity Panel	Cutout: None	Note: Sink/Faucet not included	
Handle: Brushed Nickel TBD	Note:	Sink: None	
Lock: T105 Keyed Locking (See Elevation)	Note: Field Measurement Required	Faucet: None	

Signed Drawings Required To Process Order

(Signature) **(Date)**

See Cover Page For Terms and Conditions



OP 12

See Countertop Detail Sheet: Solid Surface C, Rolled Edge w/ Int BS 0.5" x 2.5"



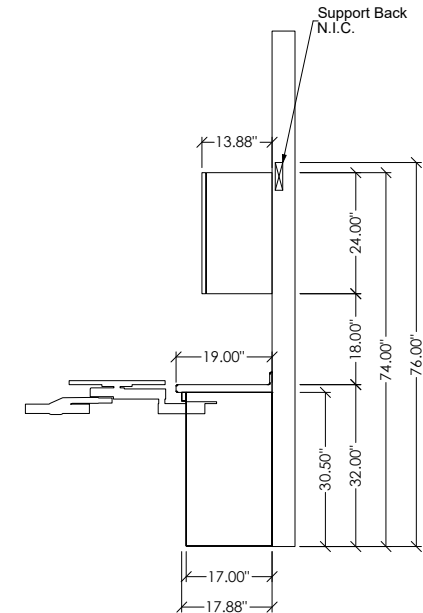
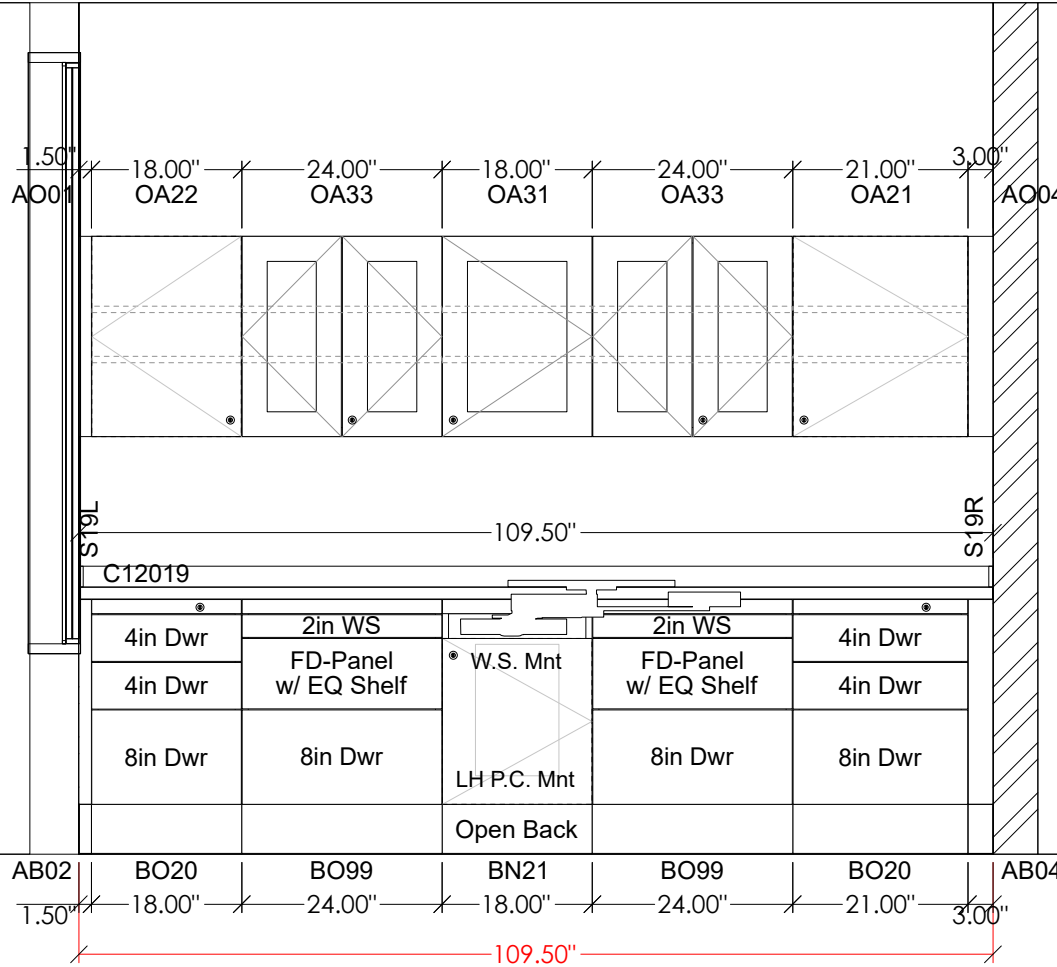
www.midmark.com
 drawings-casework@midmark.com
 Phone: 1-800-MIDMARK

Project Name: MSU	Project #: V162848	Phase #: 01	Rev: N
Base Finish: 490-Fawn	Tasklight: None	Top Material: Solid Surface	
Upper Finish: 490-Fawn	Grommet: None	Top Color: Cottage Lane	
Panel Style: Serenity Panel	Cutout: None	Note: Sink/Faucet not included	
Handle: Brushed Nickel TBD	Note:	Sink: None	
Lock: T105 Keyed Locking (See Elevation)	Note: Field Measurement Required	Faucet: None	

Signed Drawings Required To Process Order

(Signature) (Date)

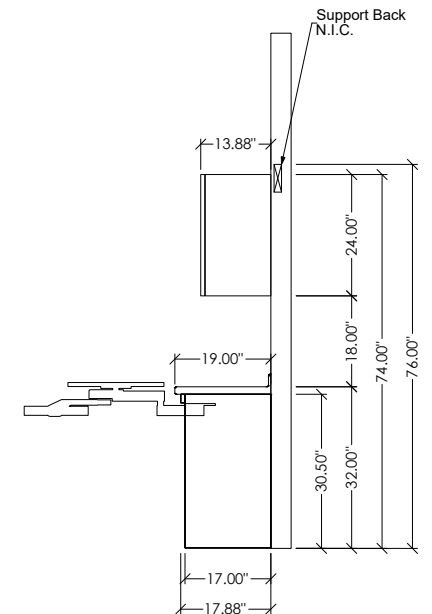
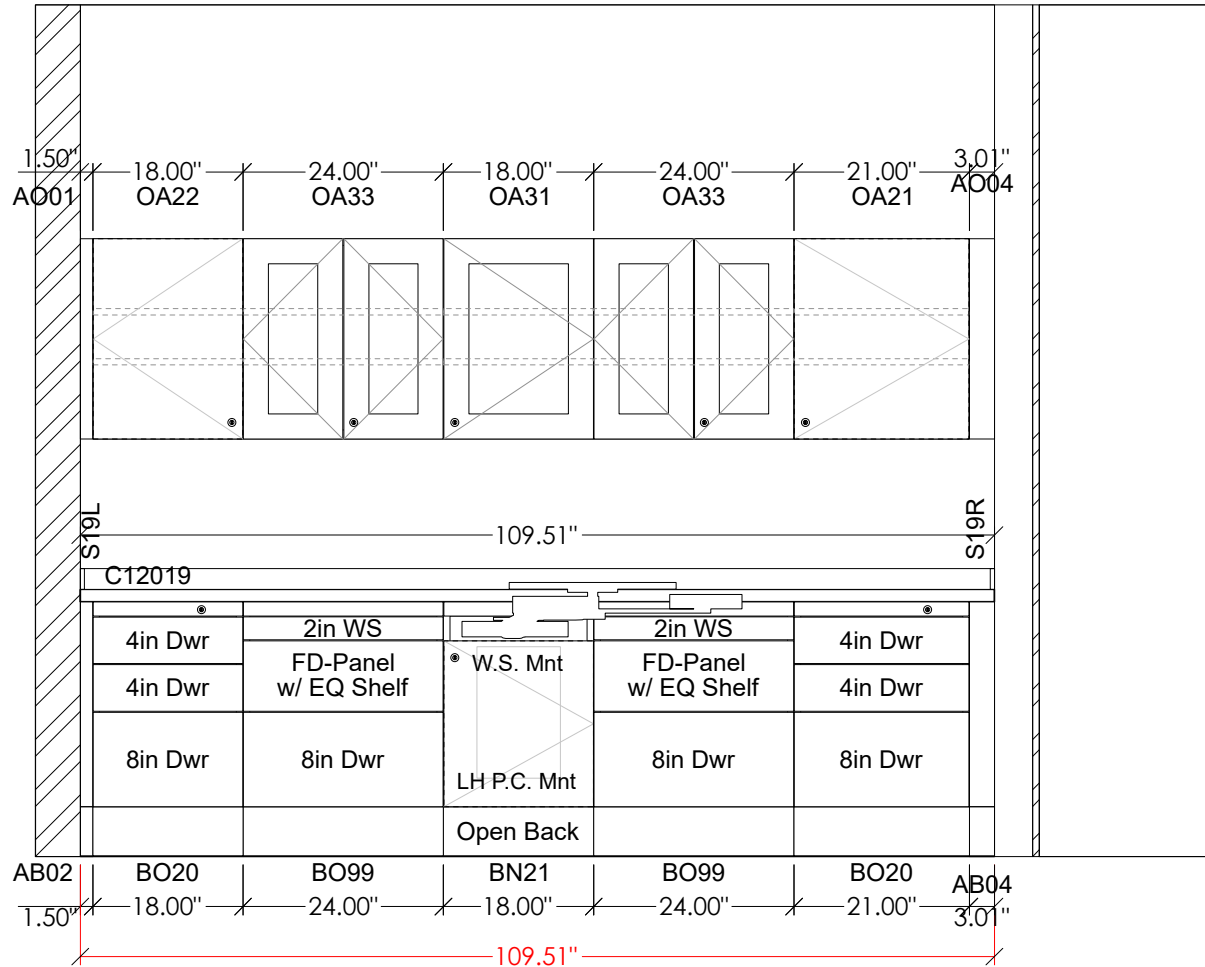
See Cover Page For Terms and Conditions





www.midmark.com
design@midmark.com
Phone: 1-800-MIDMARK

Project Name: MSU		Project #: V162848		Phase #: 01		Rev: N	
Base Finish:	490-Fawn	Tasklight:	None	Top Material:	Solid Surface		Signed Drawings Required To Process Order (Signature) _____ (Date) _____ See Cover Page For Terms and Conditions
Upper Finish:	490-Fawn	Grommet:	None	Top Color:	Cottage Lane		
Panel Style:	Serenity Panel	Cutout:	None	Note:	Sink/Faucet not included		
Handle:	Brushed Nickel TBD	Note:		Sink:	None		
Lock:	T105 Keyed Locking (See Elevation)	Note:	Field Measurement Required	Faucet:	None		





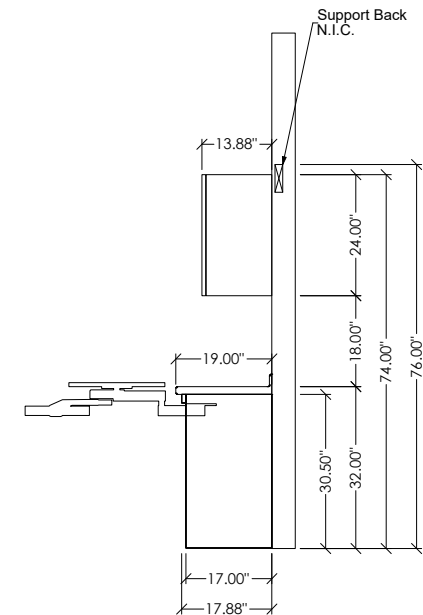
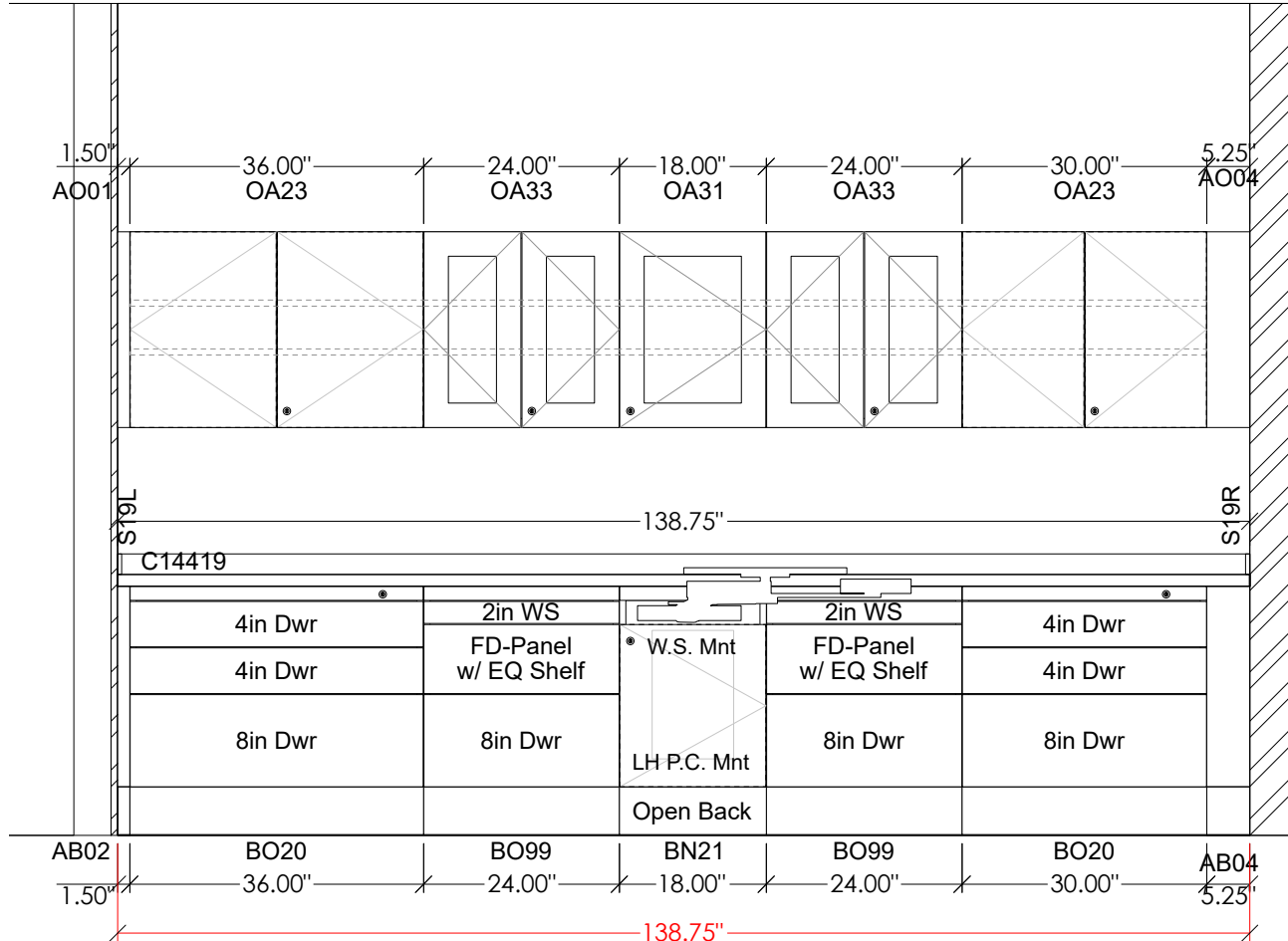
www.midmark.com
 drawings-casework@midmark.com
 Phone: 1-800-MIDMARK

Project Name: MSU	Project #: V162848	Phase #: 01	Rev: N
Base Finish: 490-Fawn	Tasklight: None	Top Material: Solid Surface	
Upper Finish: 490-Fawn	Grommet: None	Top Color: Cottage Lane	
Panel Style: Serenity Panel	Cutout: None	Note: Sink/Faucet not included	
Handle: Brushed Nickel TBD	Note:	Sink: None	
Lock: T105 Keyed Locking (See Elevation)	Note: Field Measurement Required	Faucet: None	

Signed Drawings Required To Process Order

 (Signature) (Date)

See Cover Page For Terms and Conditions



OP 15

See Countertop Detail Sheet: Solid Surface C, Rolled Edge w/ Int BS 0.5" x 2.5"



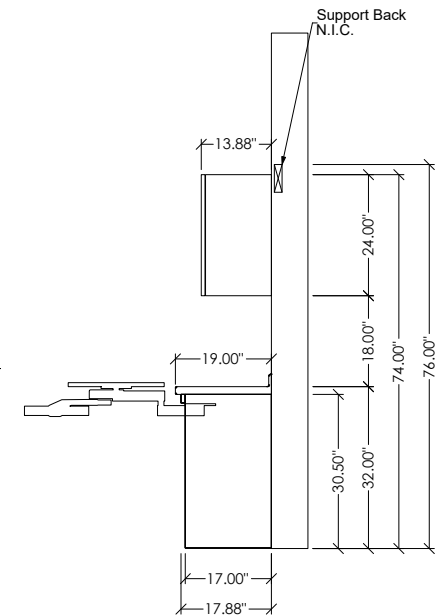
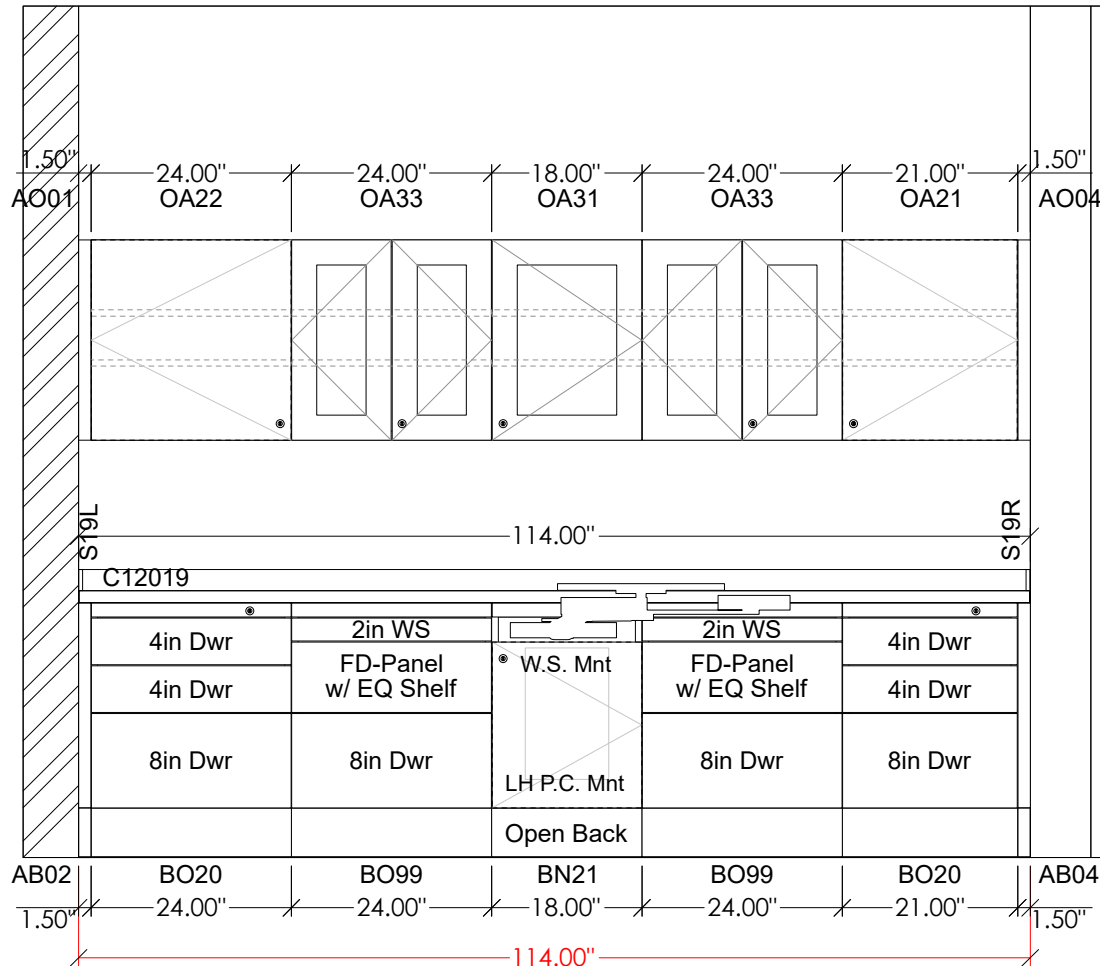
www.midmark.com
 drawings-casework@midmark.com
 Phone: 1-800-MIDMARK

Project Name: MSU	Project #: V162848	Phase #: 01	Rev: N
Base Finish: 490-Fawn	Tasklight: None	Top Material: Solid Surface	
Upper Finish: 490-Fawn	Grommet: None	Top Color: Cottage Lane	
Panel Style: Serenity Panel	Cutout: None	Note: Sink/Faucet not included	
Handle: Brushed Nickel TBD	Note:	Sink: None	
Lock: T105 Keyed Locking (See Elevation)	Note: Field Measurement Required	Faucet: None	

Signed Drawings Required To Process Order

(Signature) (Date)

See Cover Page For Terms and Conditions





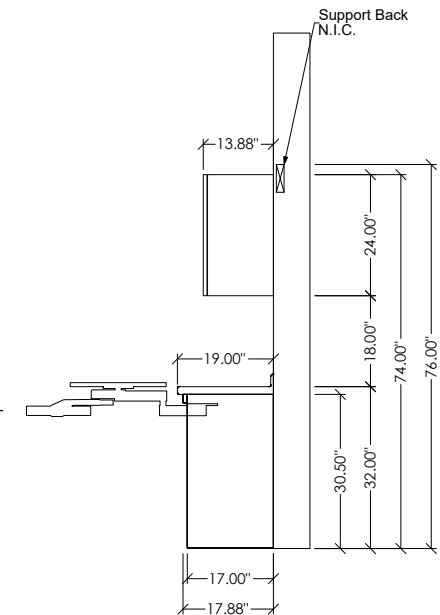
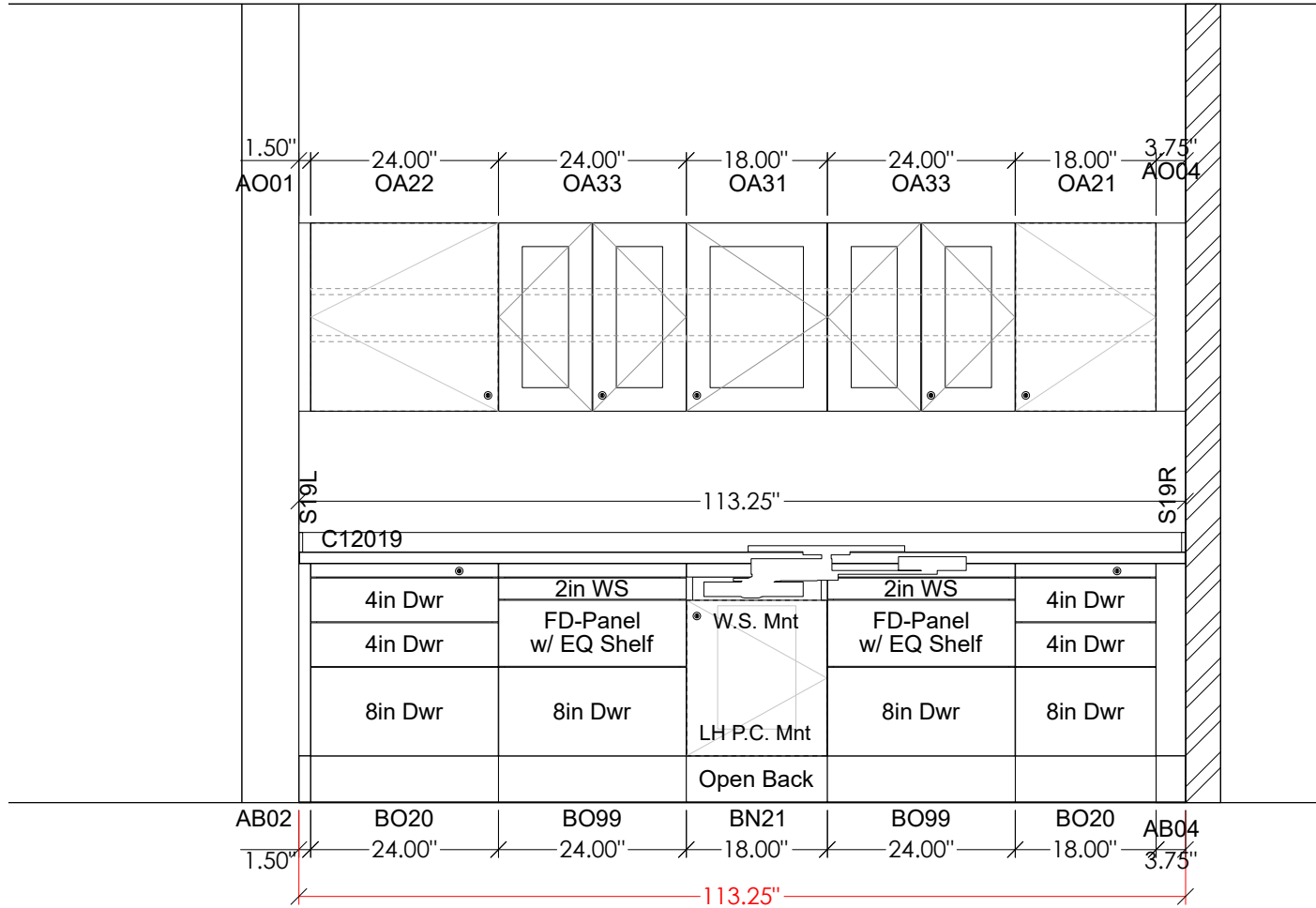
www.midmark.com
 drawings-casework@midmark.com
 Phone: 1-800-MIDMARK

Project Name: MSU	Project #: V162848	Phase #: 01	Rev: N
Base Finish: 490-Fawn	Tasklight: None	Top Material: Solid Surface	
Upper Finish: 490-Fawn	Grommet: None	Top Color: Cottage Lane	
Panel Style: Serenity Panel	Cutout: None	Note: Sink/Faucet not included	
Handle: Brushed Nickel TBD	Note: Field Measurement Required	Sink: None	
Lock: T105 Keyed Locking (See Elevation)		Faucet: None	

Signed Drawings Required To Process Order

(Signature) (Date)

See Cover Page For Terms and Conditions



OP 17

See Countertop Detail Sheet: Solid Surface C, Rolled Edge w/ Int BS 0.5" x 2.5"



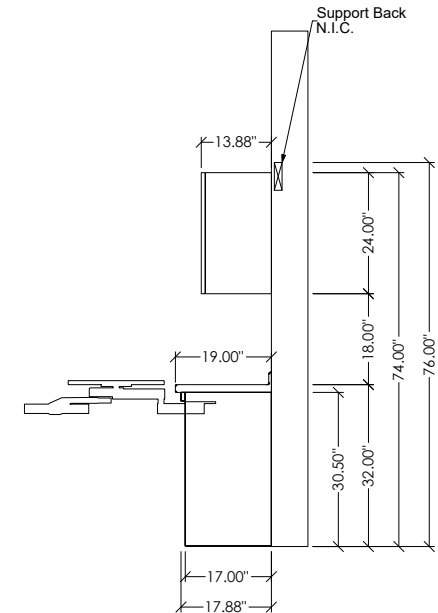
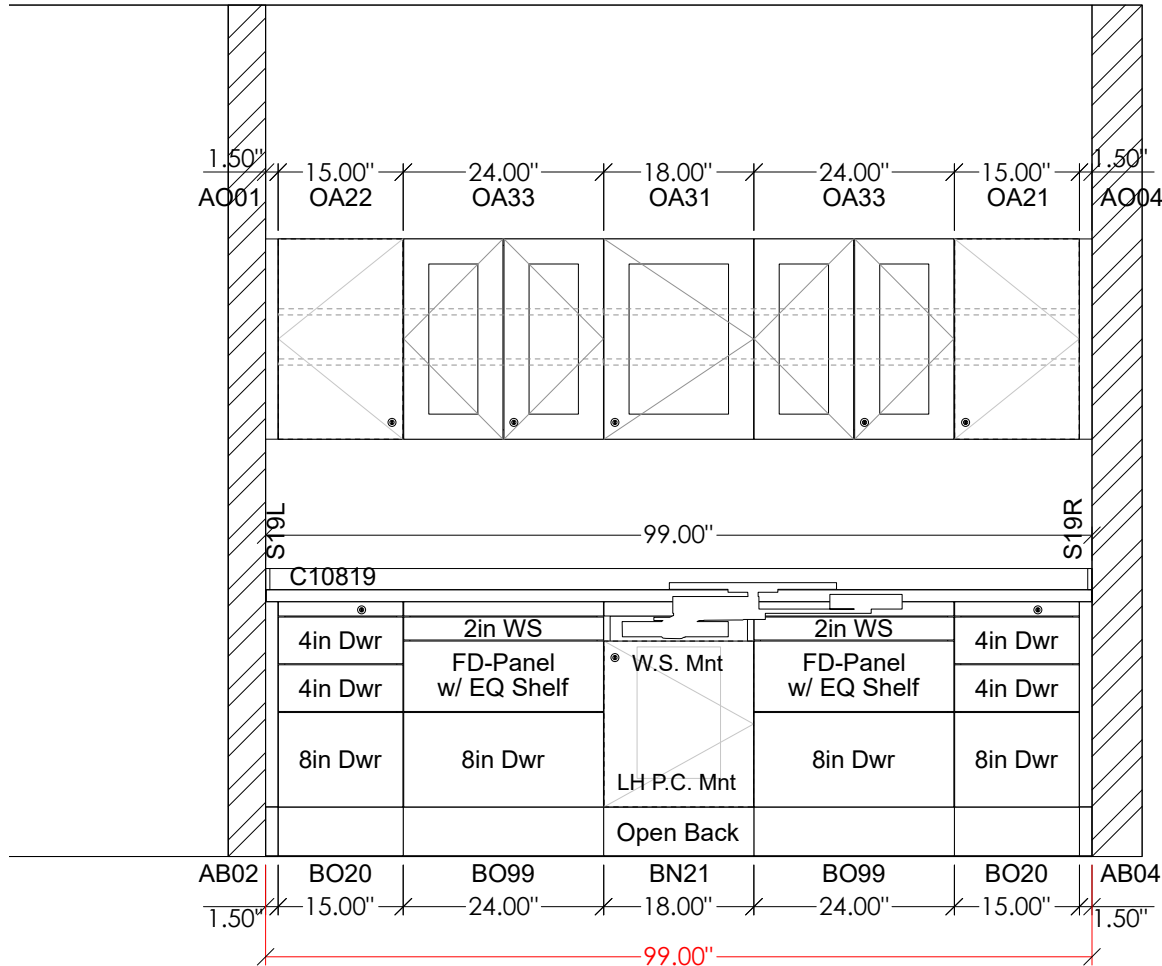
www.midmark.com
 drawings-casework@midmark.com
 Phone: 1-800-MIDMARK

Project Name: MSU	Project #: V162848	Phase #: 01	Rev: N
Base Finish: 490-Fawn	Tasklight: None	Top Material: Solid Surface	
Upper Finish: 490-Fawn	Grommet: None	Top Color: Cottage Lane	
Panel Style: Serenity Panel	Cutout: None	Note: Sink/Faucet not included	
Handle: Brushed Nickel TBD	Note:	Sink: None	
Lock: T105 Keyed Locking (See Elevation)	Note: Field Measurement Required	Faucet: None	

Signed Drawings Required To Process Order

(Signature) (Date)

See Cover Page For Terms and Conditions



OP 18

See Countertop Detail Sheet: Solid Surface C, Rolled Edge w/ Int BS 0.5" x 2.5"



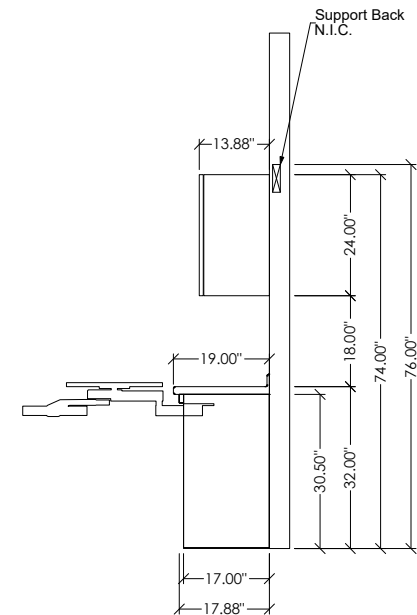
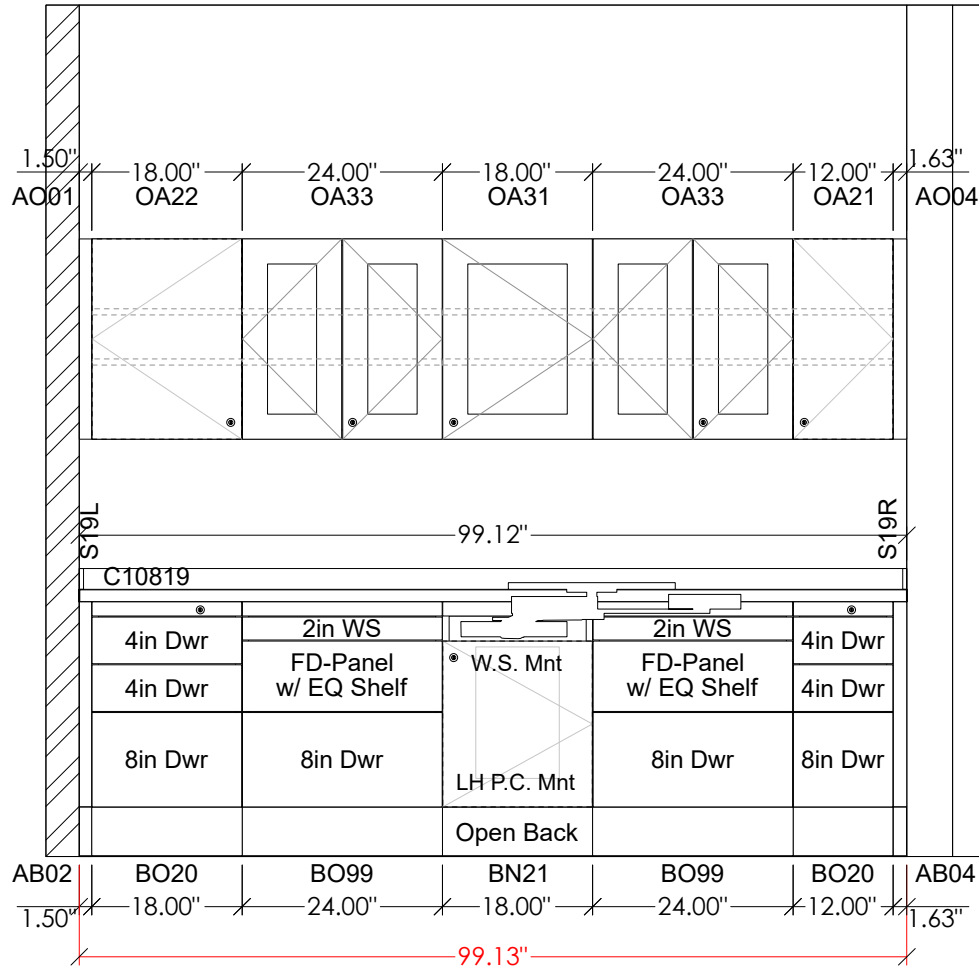
www.midmark.com
 drawings-casework@midmark.com
 Phone: 1-800-MIDMARK

Project Name: MSU	Project #: V162848	Phase #: 01	Rev: N
Base Finish: 490-Fawn	Tasklight: None	Top Material: Solid Surface	
Upper Finish: 490-Fawn	Grommet: None	Top Color: Cottage Lane	
Panel Style: Serenity Panel	Cutout: None	Note: Sink/Faucet not included	
Handle: Brushed Nickel TBD	Note: Sink: None	Faucet: None	
Lock: T105 Keyed Locking (See Elevation)	Note: Field Measurement Required		

Signed Drawings Required To Process Order

(Signature) **(Date)**

See Cover Page For Terms and Conditions



OP 1

See Countertop Detail Sheet: Solid Surface C, Rolled Edge w/ Int BS 0.5" x 2.5"



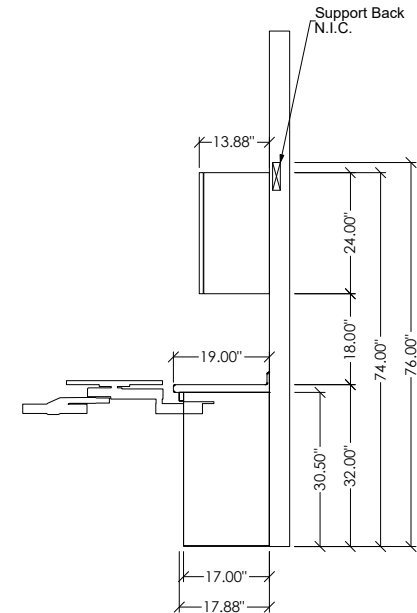
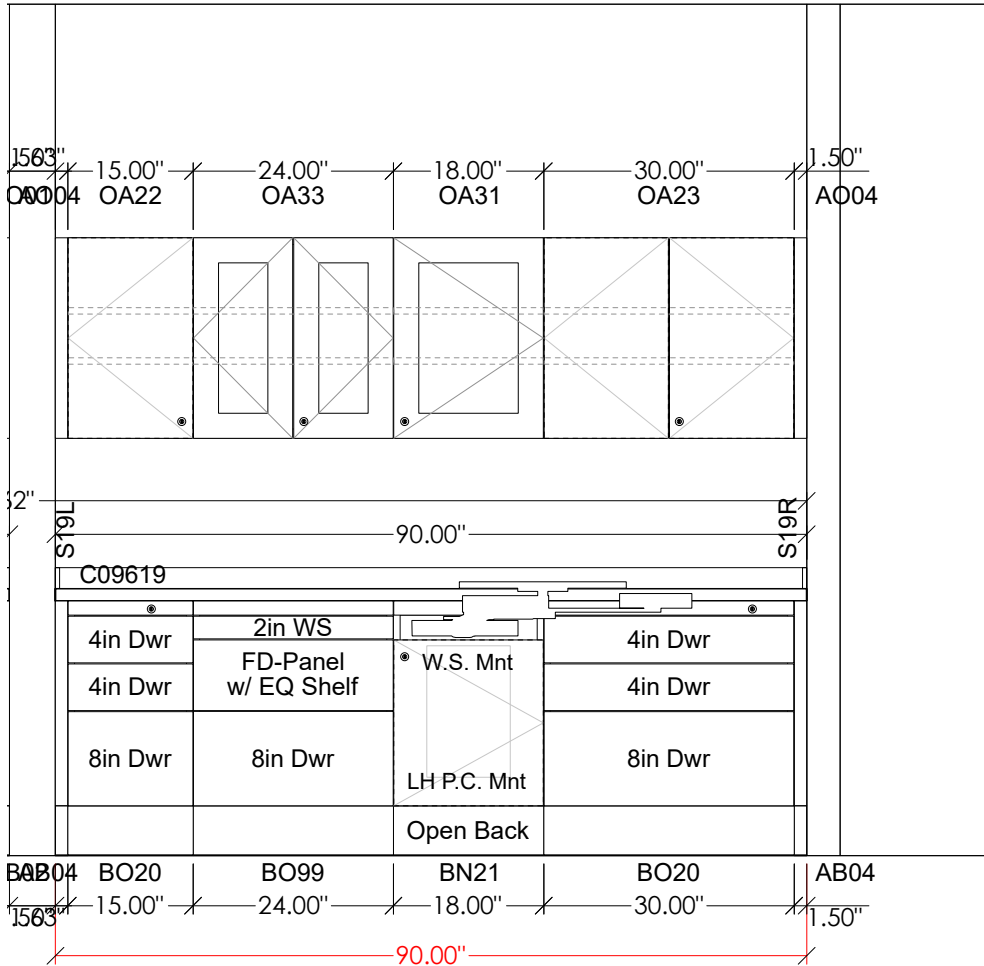
www.midmark.com
 drawings-casework@midmark.com
 Phone: 1-800-MIDMARK

Project Name: MSU	Project #: V162848	Phase #: 01	Rev: N
Base Finish: 490-Fawn	Tasklight: None	Top Material: Solid Surface	
Upper Finish: 490-Fawn	Grommet: None	Top Color: Cottage Lane	
Panel Style: Serenity Panel	Cutout: None	Note: Sink/Faucet not included	
Handle: Brushed Nickel TBD	Note:	Sink: None	
Lock: T105 Keyed Locking (See Elevation)	Note: Field Measurement Required	Faucet: None	

Signed Drawings Required To Process Order

 (Signature) (Date)

See Cover Page For Terms and Conditions



OP 2

See Countertop Detail Sheet: Solid Surface C, Rolled Edge w/ Int BS 0.5" x 2.5"



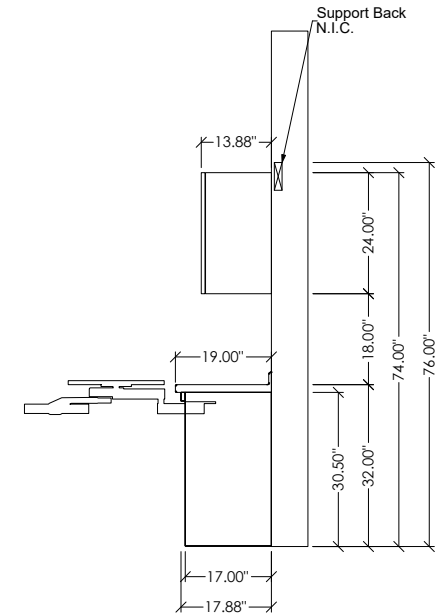
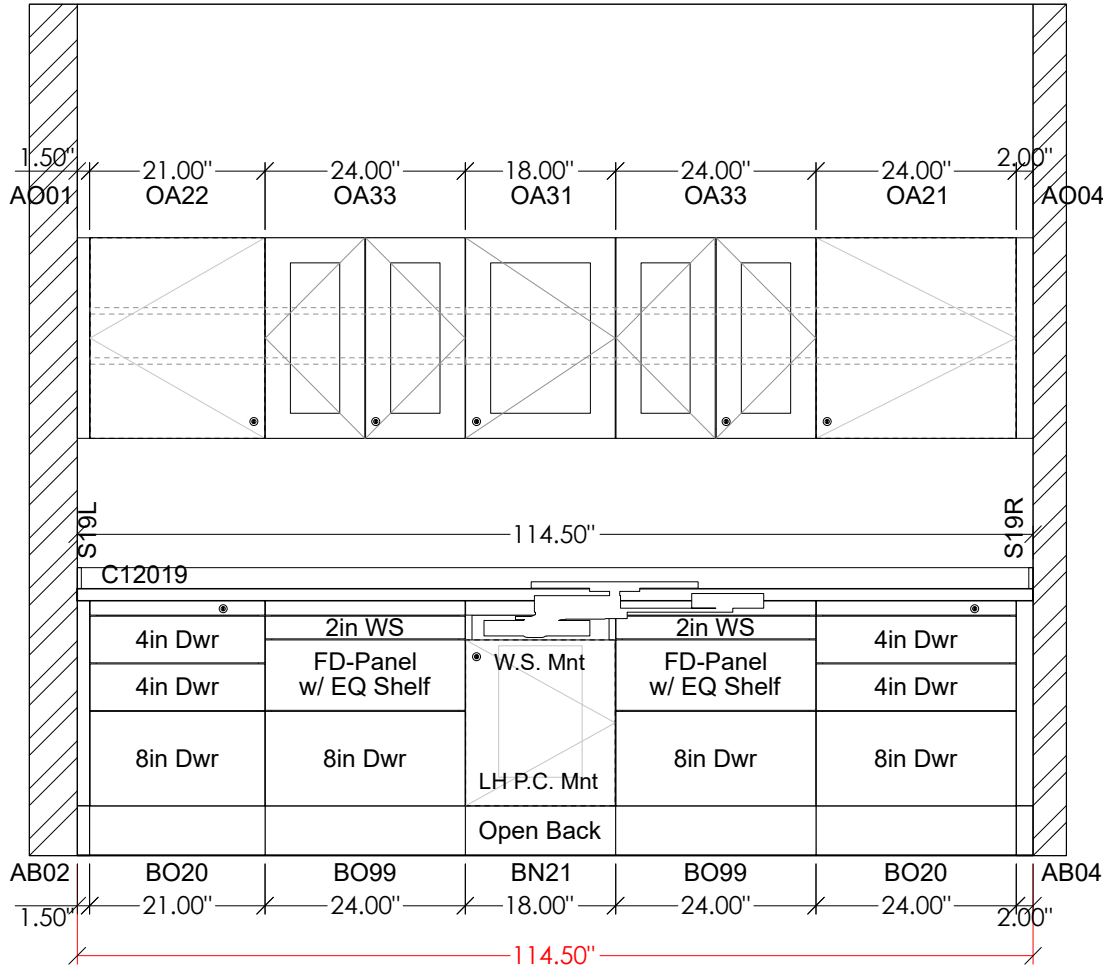
www.midmark.com
 drawings-casework@midmark.com
 Phone: 1-800-MIDMARK

Project Name: MSU	Project #: V162848	Phase #: 01	Rev: N
Base Finish: 490-Fawn	Tasklight: None	Top Material: Solid Surface	
Upper Finish: 490-Fawn	Grommet: None	Top Color: Cottage Lane	
Panel Style: Serenity Panel	Cutout: None	Note: Sink/Faucet not included	
Handle: Brushed Nickel TBD	Note:	Sink: None	
Lock: T105 Keyed Locking (See Elevation)	Note: Field Measurement Required	Faucet: None	

Signed Drawings Required To Process Order

(Signature) (Date)

See Cover Page For Terms and Conditions



OP 3

See Countertop Detail Sheet: Solid Surface C, Rolled Edge w/ Int BS 0.5" x 2.5"



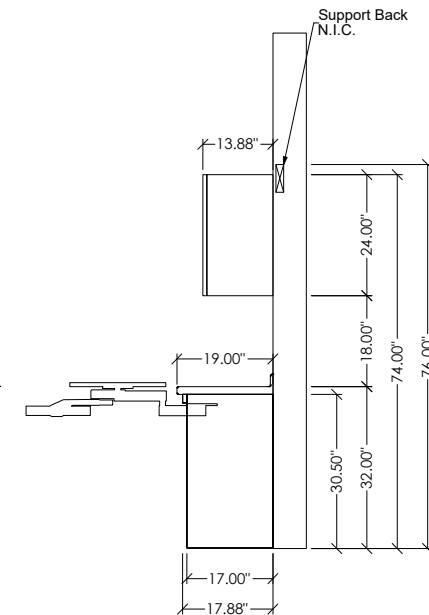
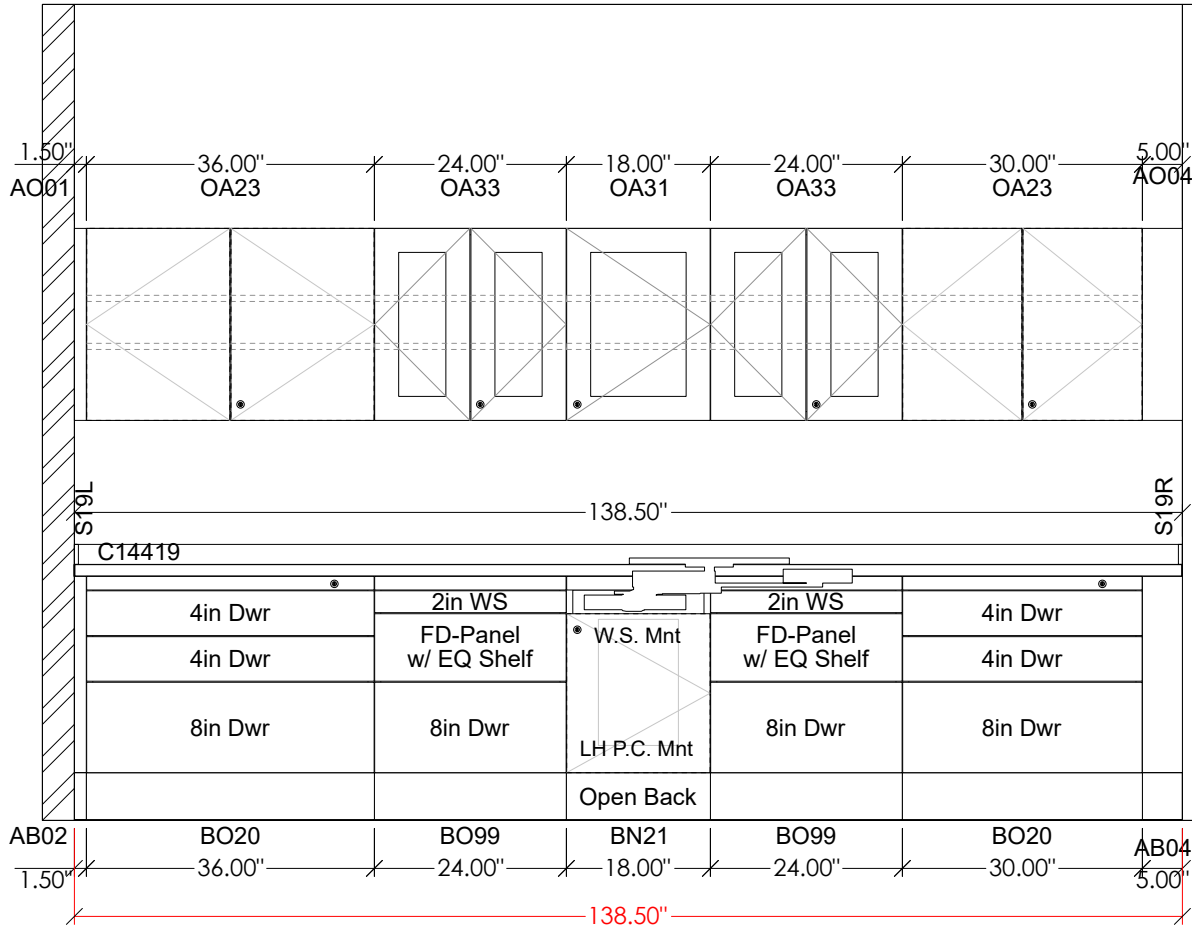
www.midmark.com
 drawings-casework@midmark.com
 Phone: 1-800-MIDMARK

Project Name: MSU	Project #: V162848	Phase #: 01	Rev: N
Base Finish: 490-Fawn	Tasklight: None	Top Material: Solid Surface	
Upper Finish: 490-Fawn	Grommet: None	Top Color: Cottage Lane	
Panel Style: Serenity Panel	Cutout: None	Note: Sink/Faucet not included	
Handle: Brushed Nickel TBD	Note:	Sink: None	
Lock: T105 Keyed Locking (See Elevation)	Note: Field Measurement Required	Faucet: None	

Signed Drawings Required To Process Order

(Signature) **(Date)**

See Cover Page For Terms and Conditions



OP 4

See Countertop Detail Sheet: Solid Surface C, Rolled Edge w/ Int BS 0.5" x 2.5"



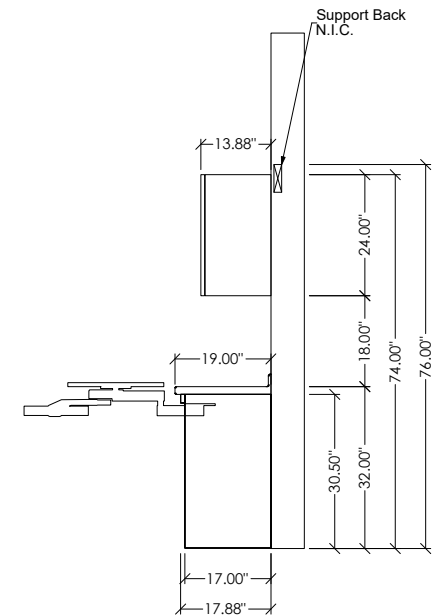
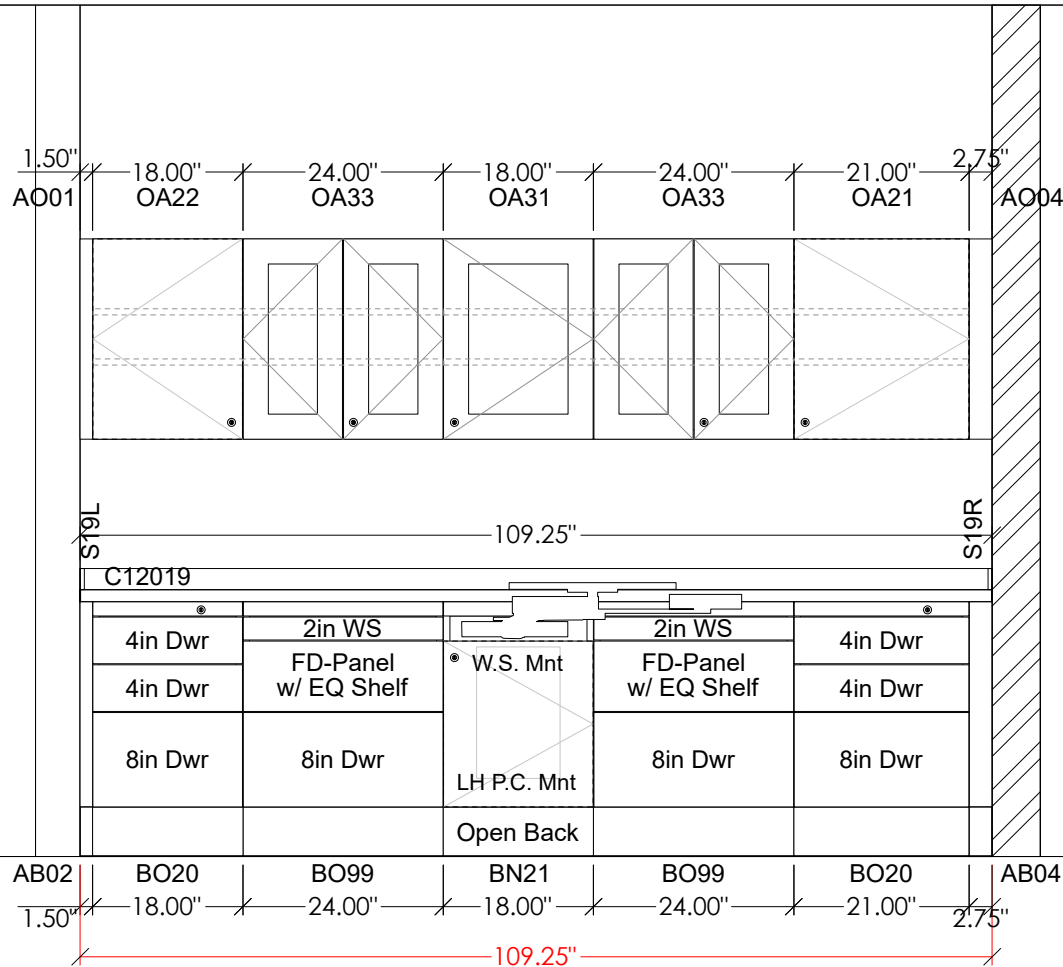
www.midmark.com
 drawings-casework@midmark.com
 Phone: 1-800-MIDMARK

Project Name:	MSU	Project #:	V162848	Phase #:	01	Rev:	N
Base Finish:	490-Fawn	Tasklight:	None	Top Material:	Solid Surface		
Upper Finish:	490-Fawn	Grommet:	None	Top Color:	Cottage Lane		
Panel Style:	Serenity Panel	Cutout:	None	Note:	Sink/Faucet not included		
Handle:	Brushed Nickel TBD	Note:		Sink:	None		
Lock:	T105 Keyed Locking (See Elevation)	Note:	Field Measurement Required	Faucet:	None		

Signed Drawings Required To Process Order

 (Signature) (Date)

See Cover Page For Terms and Conditions



OP 5

See Countertop Detail Sheet: Solid Surface C, Rolled Edge w/ Int BS 0.5" x 2.5"



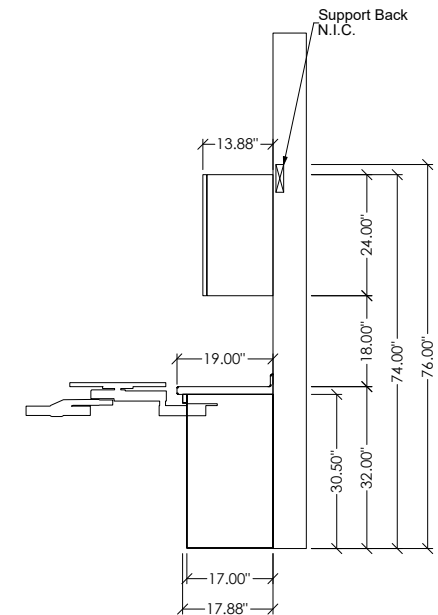
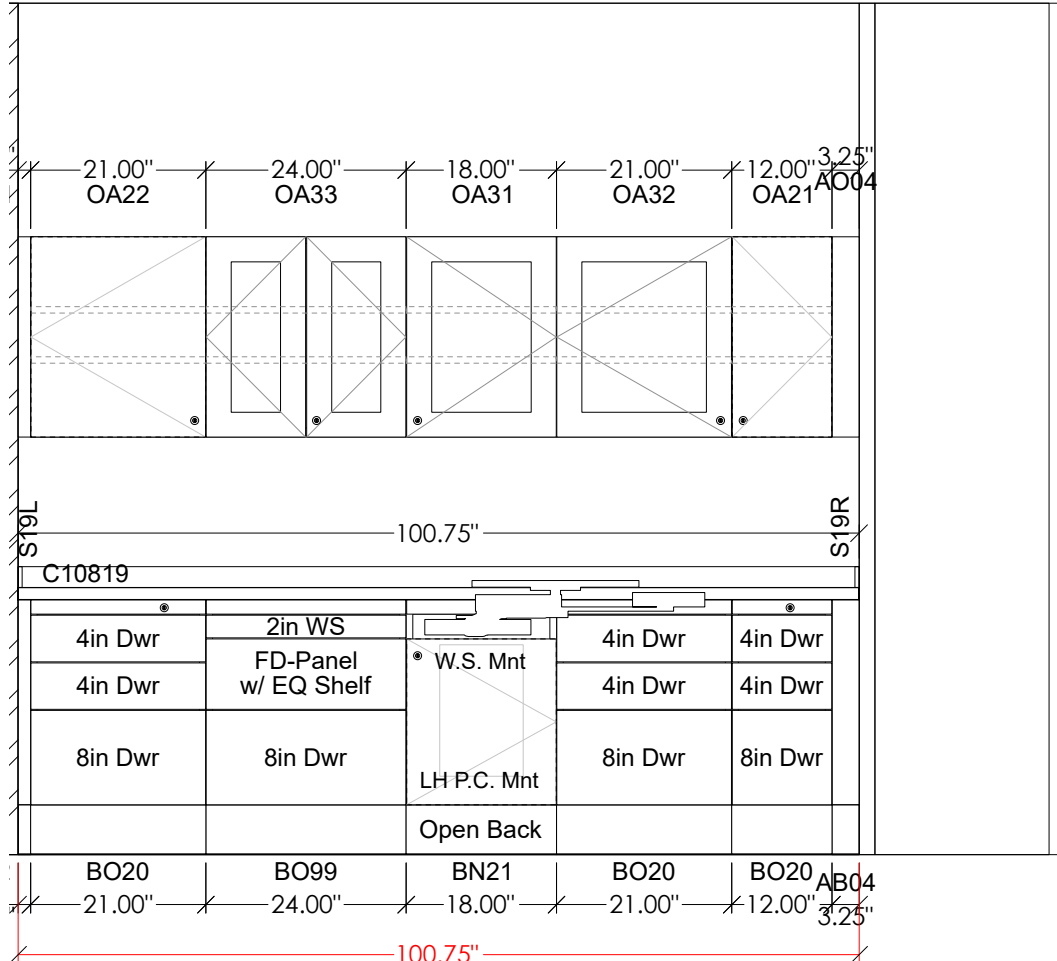
www.midmark.com
 drawings-casework@midmark.com
 Phone: 1-800-MIDMARK

Project Name:	MSU	Project #:	V162848	Phase #:	01	Rev:	N
Base Finish:	490-Fawn	Tasklight:	None	Top Material:	Solid Surface		
Upper Finish:	490-Fawn	Grommet:	None	Top Color:	Cottage Lane		
Panel Style:	Serenity Panel	Cutout:	None	Note:	Sink/Faucet not included		
Handle:	Brushed Nickel TBD	Note:		Sink:	None		
Lock:	T105 Keyed Locking (See Elevation)	Note:	Field Measurement Required	Faucet:	None		

Signed Drawings Required To Process Order

(Signature) (Date)

See Cover Page For Terms and Conditions



OP 6

See Countertop Detail Sheet: Solid Surface C, Rolled Edge w/ Int BS 0.5" x 2.5"



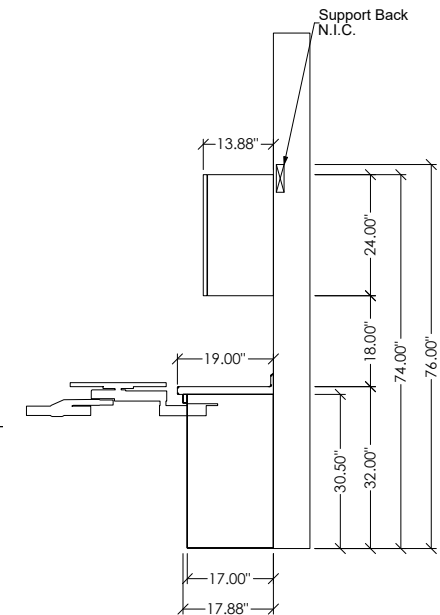
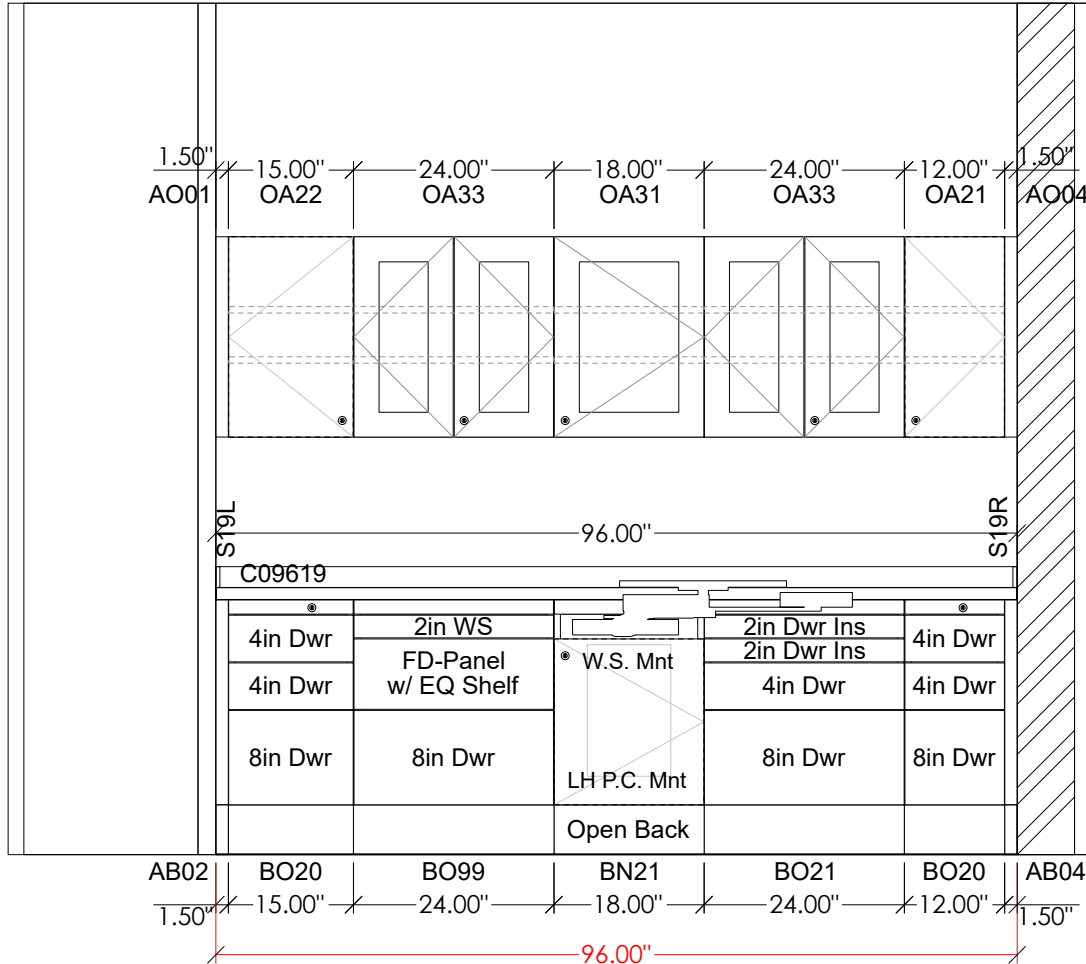
www.midmark.com
 drawings-casework@midmark.com
 Phone: 1-800-MIDMARK

Project Name: MSU	Project #: V162848	Phase #: 01	Rev: N
Base Finish: 490-Fawn	Tasklight: None	Top Material: Solid Surface	
Upper Finish: 490-Fawn	Grommet: None	Top Color: Cottage Lane	
Panel Style: Serenity Panel	Cutout: None	Note: Sink/Faucet not included	
Handle: Brushed Nickel TBD	Note:	Sink: None	
Lock: T105 Keyed Locking (See Elevation)	Note: Field Measurement Required	Faucet: None	

Signed Drawings Required To Process Order

(Signature) **(Date)**

See Cover Page For Terms and Conditions



OP 7

See Countertop Detail Sheet: Solid Surface C, Rolled Edge w/ Int BS 0.5" x 2.5"



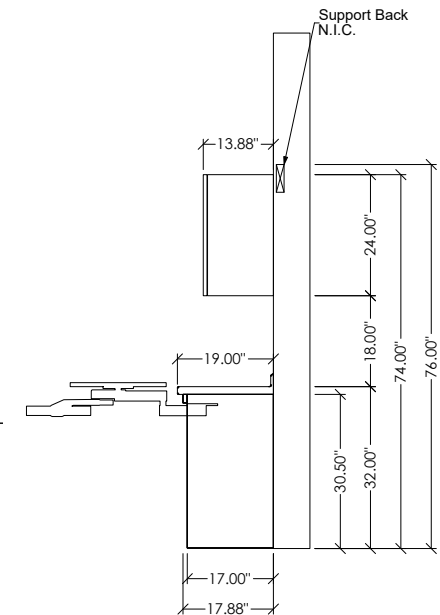
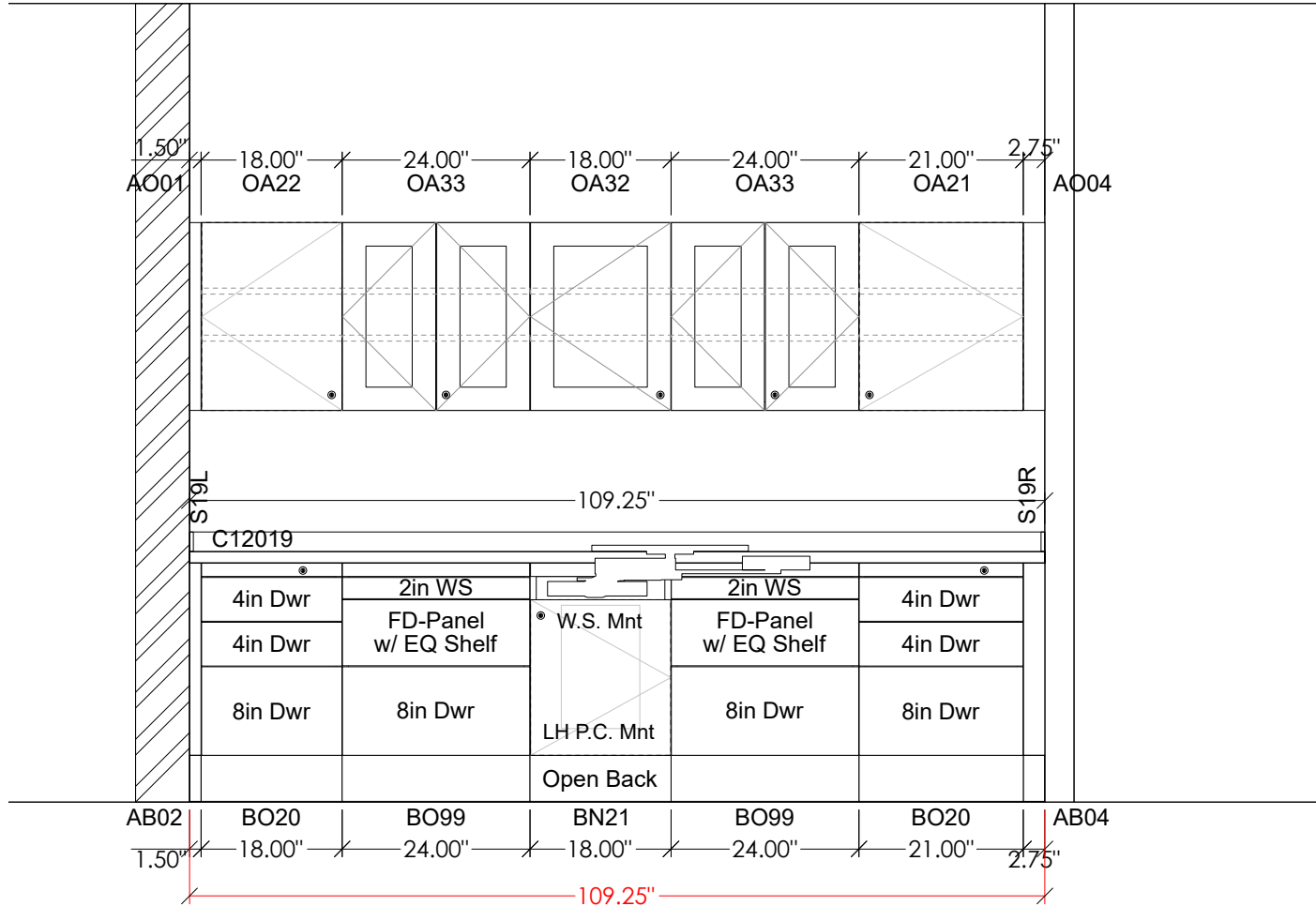
www.midmark.com
 drawings-casework@midmark.com
 Phone: 1-800-MIDMARK

Project Name: MSU	Project #: V162848	Phase #: 01	Rev: N
Base Finish: 490-Fawn	Tasklight: None	Top Material: Solid Surface	
Upper Finish: 490-Fawn	Grommet: None	Top Color: Cottage Lane	
Panel Style: Serenity Panel	Cutout: None	Note: Sink/Faucet not included	
Handle: Brushed Nickel TBD	Note: Sink: None	Faucet: None	
Lock: T105 Keyed Locking (See Elevation)	Note: Field Measurement Required		

Signed Drawings Required To Process Order

(Signature) (Date)

See Cover Page For Terms and Conditions



OP 8

See Countertop Detail Sheet: Solid Surface C, Rolled Edge w/ Int BS 0.5" x 2.5"



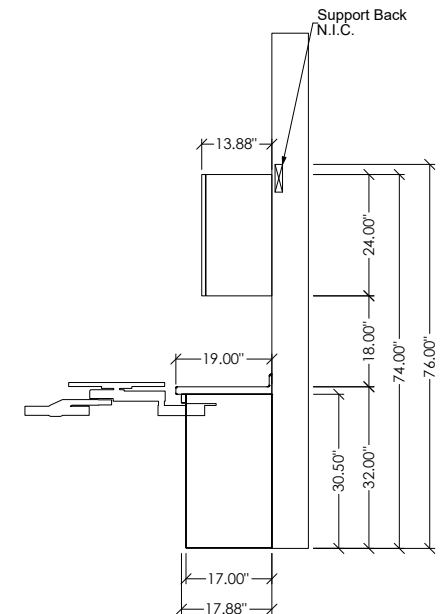
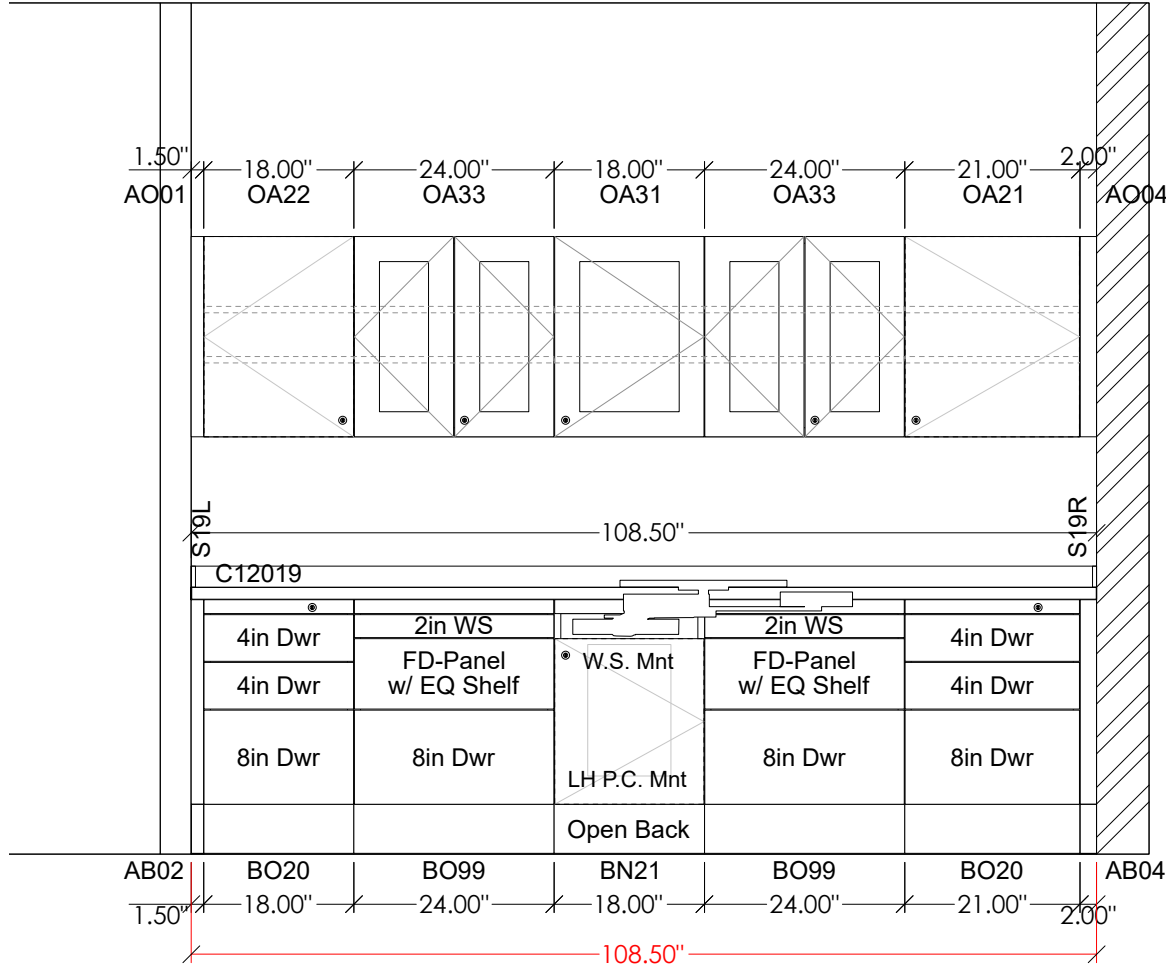
www.midmark.com
design@midmark.com
Phone: 1-800-MIDMARK

Project Name: MSU		Project #: V162848		Phase #: 01		Rev: N	
Base Finish:	490-Fawn	Tasklight:	None	Top Material:	Solid Surface		
Upper Finish:	490-Fawn	Grommet:	None	Top Color:	Cottage Lane		
Panel Style:	Serenity Panel	Cutout:	None	Note:	Sink/Faucet not included		
Handle:	Brushed Nickel TBD	Note:		Sink:	None		
Lock: T10505	Keyed Locking (See Elevation)	Note:	Field Measurement Required	Faucet:	None		

Signed Drawings Required To Process Order

(Signature) (Date)

See Cover Page For Terms and Conditions





www.midmark.com
drawings-casework@midmark.com
Phone: 1-800-MIDMARK

Project Name: **MSU**

Project #: V162848

Phase #: 01

Rev: N

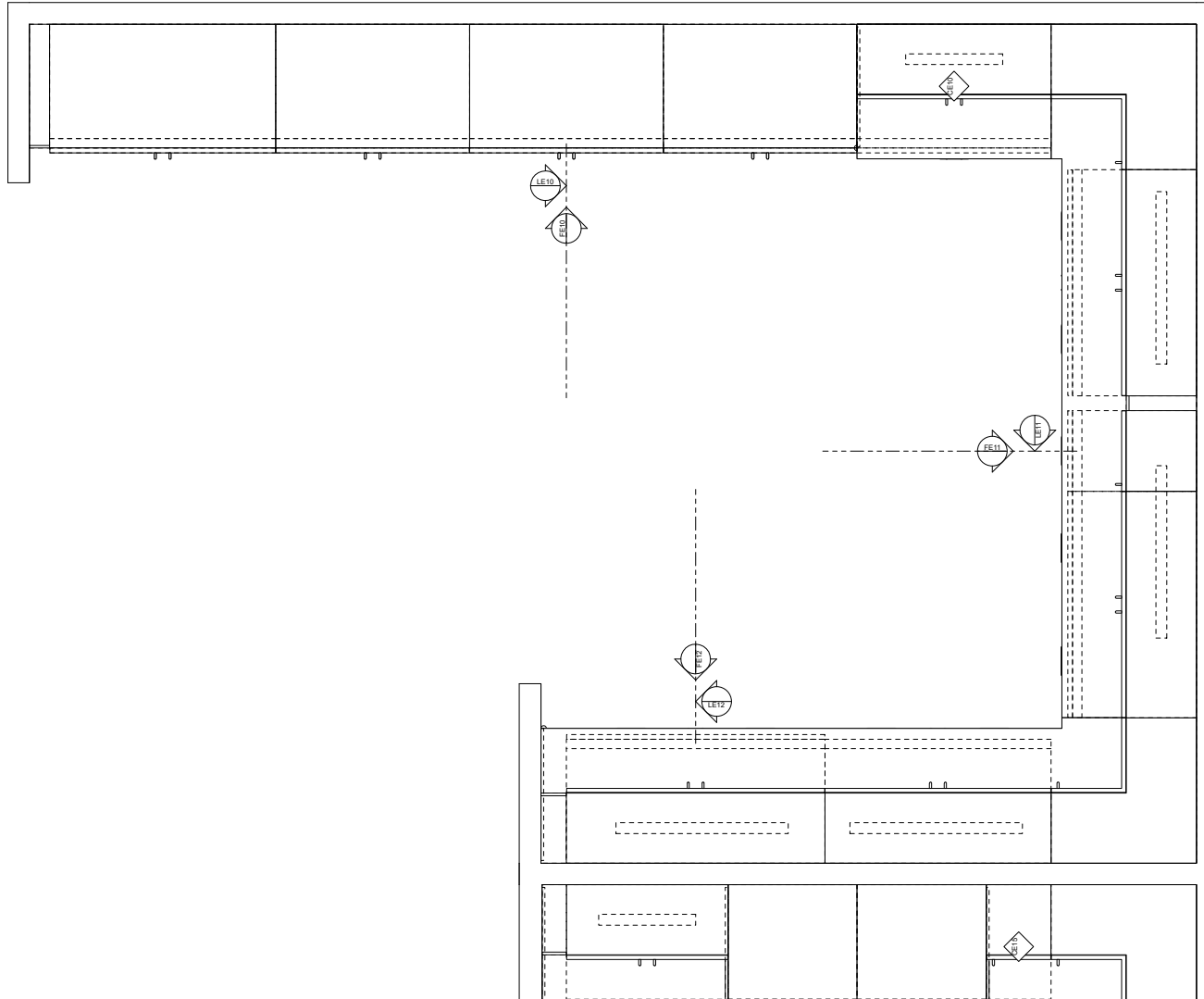
Signed Drawings Required To Process Order

Room Plan View

(Signature)

(Date)

See Cover Page For Terms and Conditions



Setup/Work Room



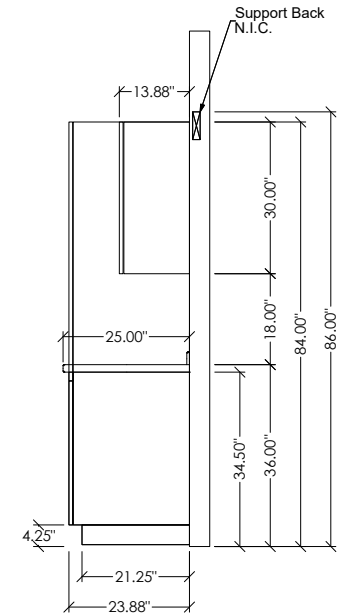
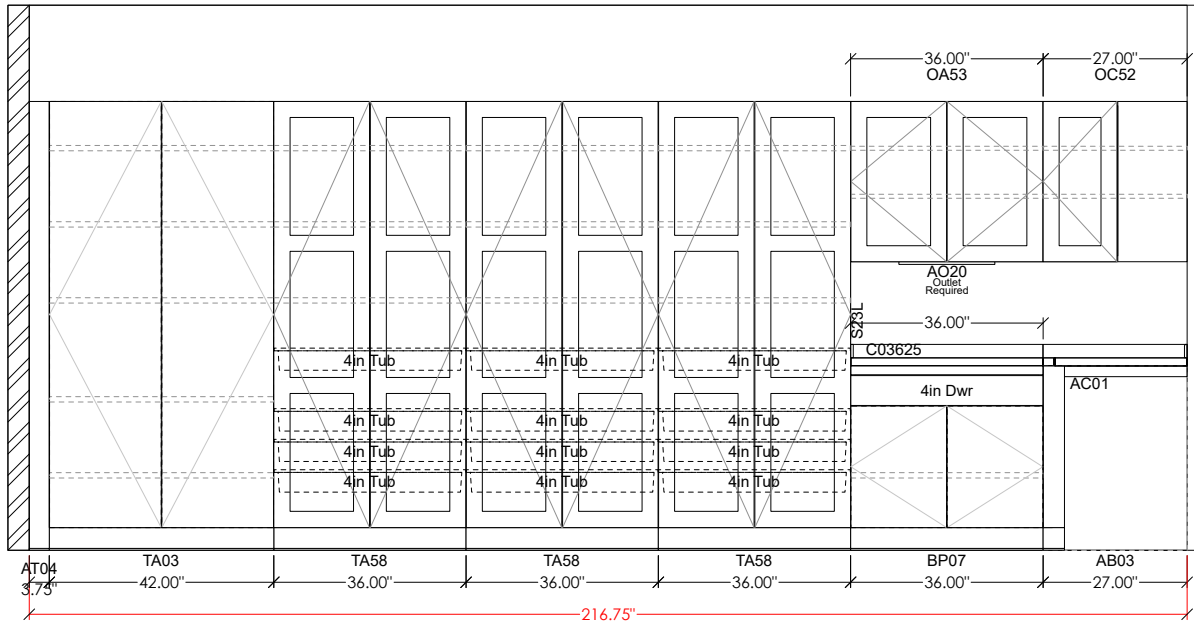
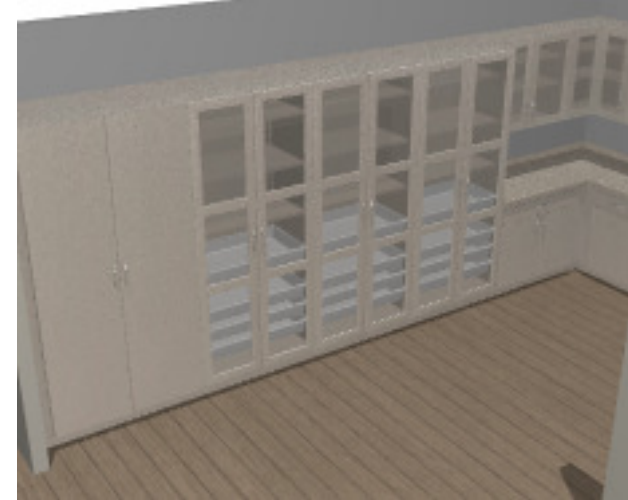
www.midmark.com
 drawings-casework@midmark.com
 Phone: 1-800-MIDMARK

Project Name:	MSU	Project #:	V162848	Phase #:	01	Rev:	N
Base Finish:	490-Fawn	Tasklight:	Included	Top Material:	Solid Surface		
Upper Finish:	490-Fawn	Grommet:	None	Top Color:	Cottage Lane		
Panel Style:	Serenity Panel	Cutout:	None	Note:	Sink/Faucet not included		
Handle:	Brushed Nickel TBD	Note:		Sink:	None		
Lock:	No Lock	Note:	Field Measurement Required	Faucet:	None		

Signed Drawings Required To Process Order

 (Signature) (Date)

See Cover Page For Terms and Conditions



Setup/Work Room

See Countertop Detail Sheet: Solid Surface F, Rolled Edge w/ Set-On BS 0.5" x 2.5"



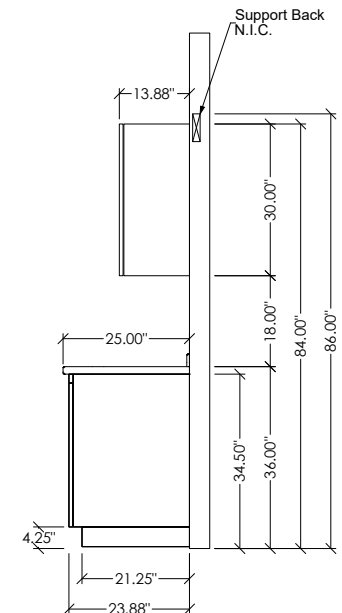
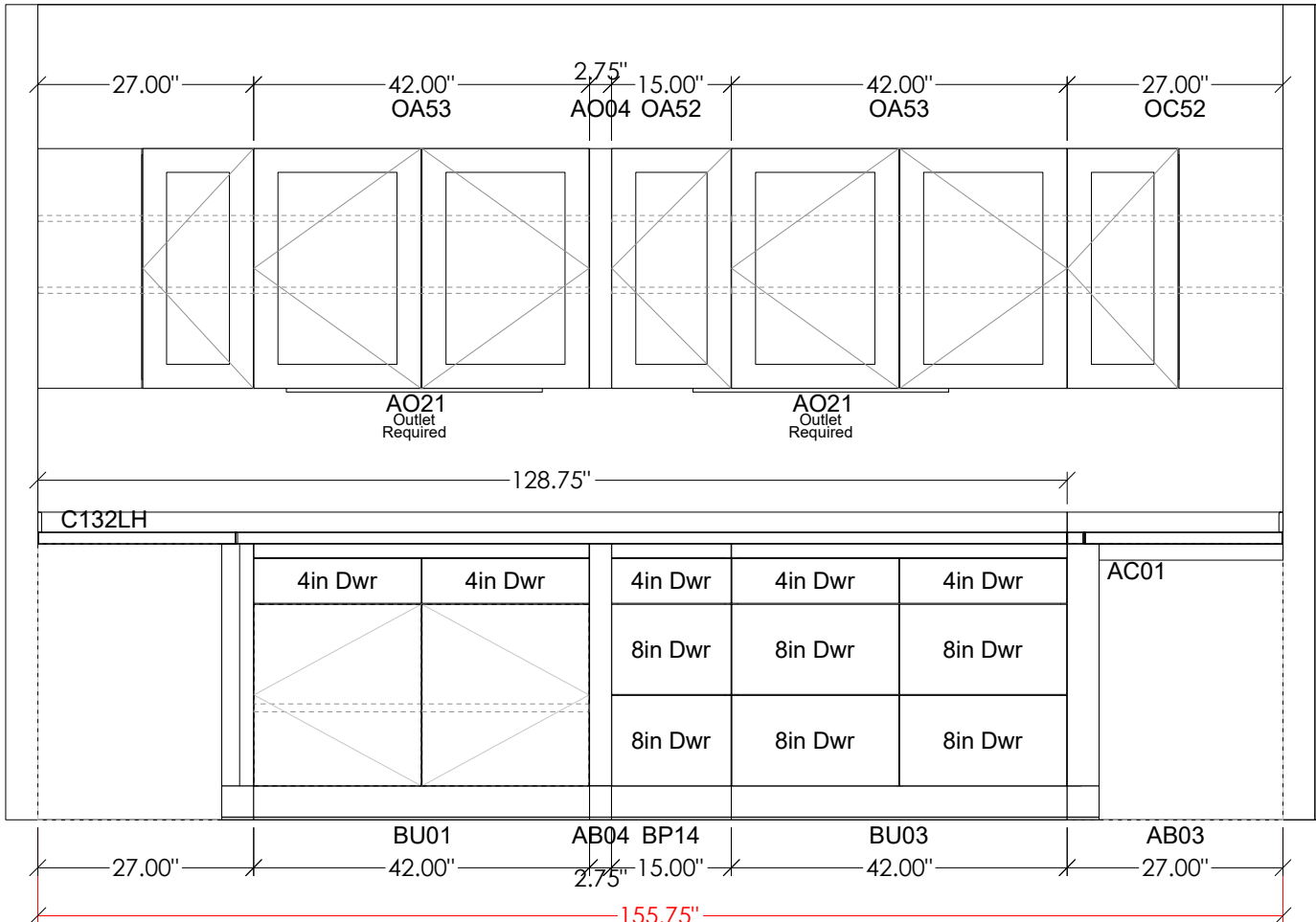
www.midmark.com
 drawings-casework@midmark.com
 Phone: 1-800-MIDMARK

Project Name: MSU	Project #: V162848	Phase #: 01	Rev: N
Base Finish: 490-Fawn	Tasklight: Included	Top Material: Solid Surface	
Upper Finish: 490-Fawn	Grommet: None	Top Color: Cottage Lane	
Panel Style: Serenity Panel	Cutout: None	Note: Sink/Faucet not included	
Handle: Brushed Nickel TBD	Note:	Sink: None	
Lock: No Lock	Note: Field Measurement Required	Faucet: None	

Signed Drawings Required To Process Order

(Signature) (Date)

See Cover Page For Terms and Conditions



Setup/Work Room

See Countertop Detail Sheet: Solid Surface F, Rolled Edge w/ Set-On BS 0.5" x 2.5"



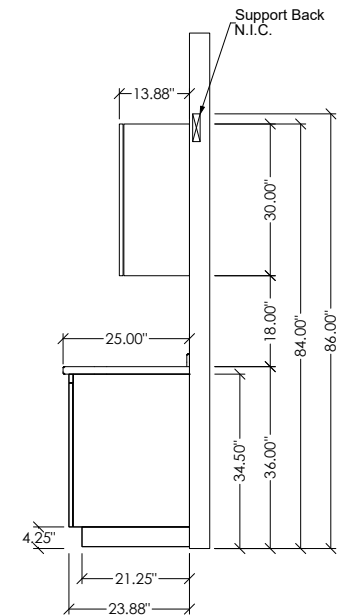
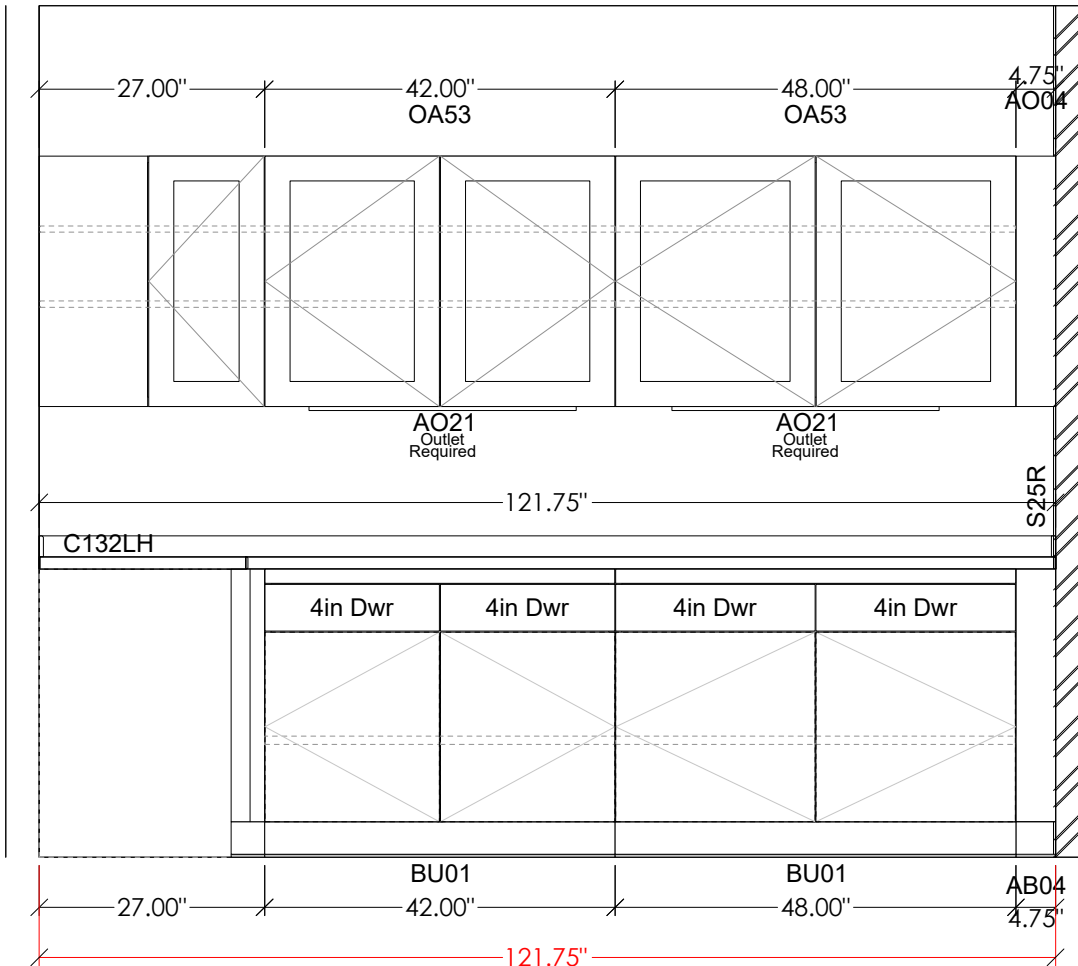
www.midmark.com
 drawings-casework@midmark.com
 Phone: 1-800-MIDMARK

Project Name: MSU	Project #: V162848	Phase #: 01	Rev: N
Base Finish: 490-Fawn	Tasklight: Included	Top Material: Solid Surface	
Upper Finish: 490-Fawn	Grommet: None	Top Color: Cottage Lane	
Panel Style: Serenity Panel	Cutout: None	Note: Sink/Faucet not included	
Handle: Brushed Nickel TBD	Note: Field Measurement Required	Sink: None	
Lock: No Lock		Faucet: None	

Signed Drawings Required To Process Order

(Signature) **(Date)**

See Cover Page For Terms and Conditions



Setup/Work Room

See Countertop Detail Sheet: Solid Surface F, Rolled Edge w/ Set-On BS 0.5" x 2.5"



www.midmark.com
drawings-casework@midmark.com
Phone: 1-800-MIDMARK

Project Name: **MSU**

Project #: V162848

Phase #: 01

Rev: N

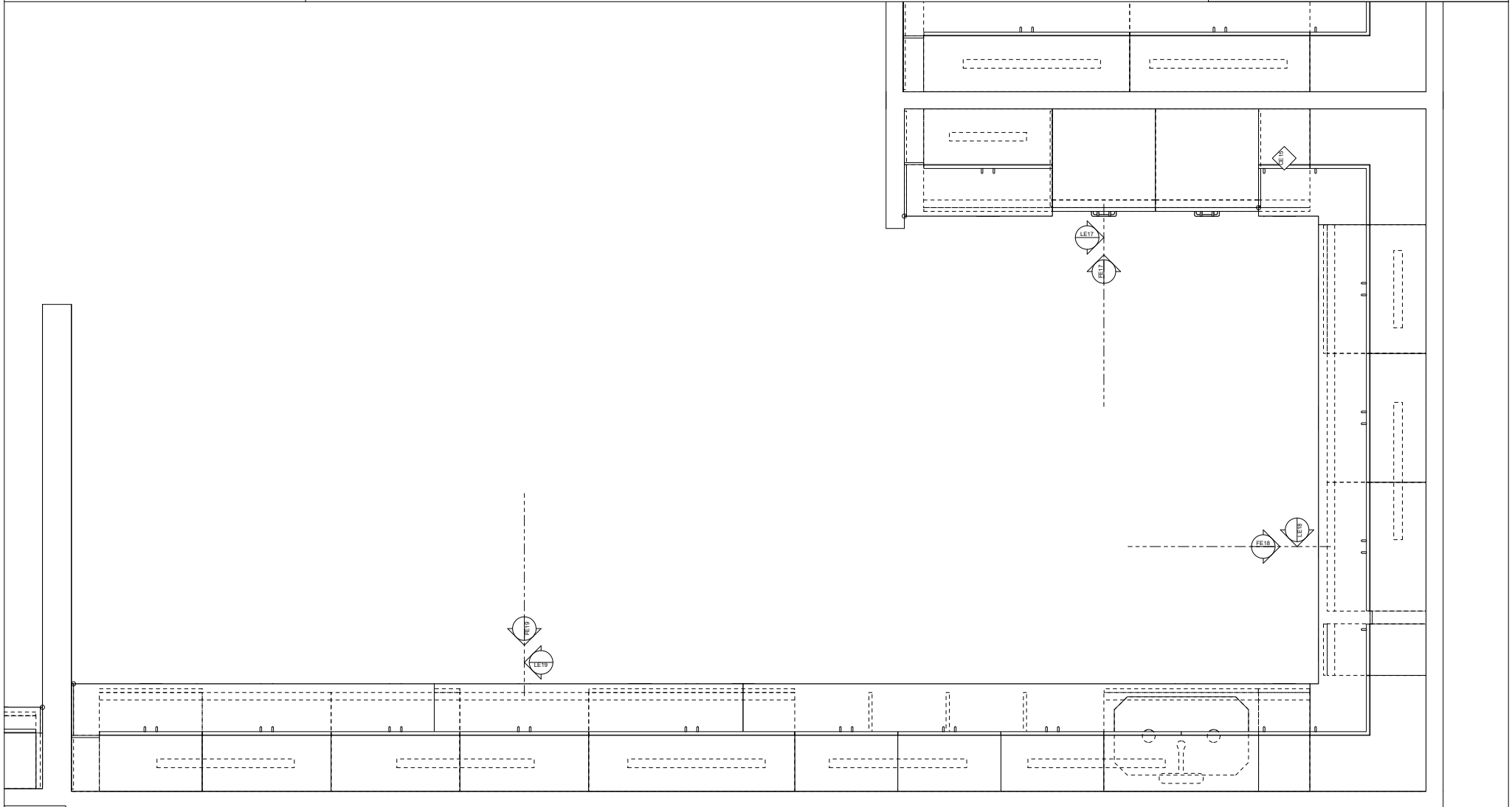
Signed Drawings Required To Process Order

Room Plan View

(Signature)

(Date)

See Cover Page For Terms and Conditions



Sterilization



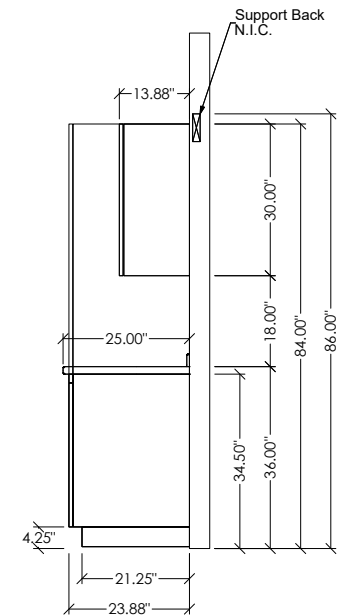
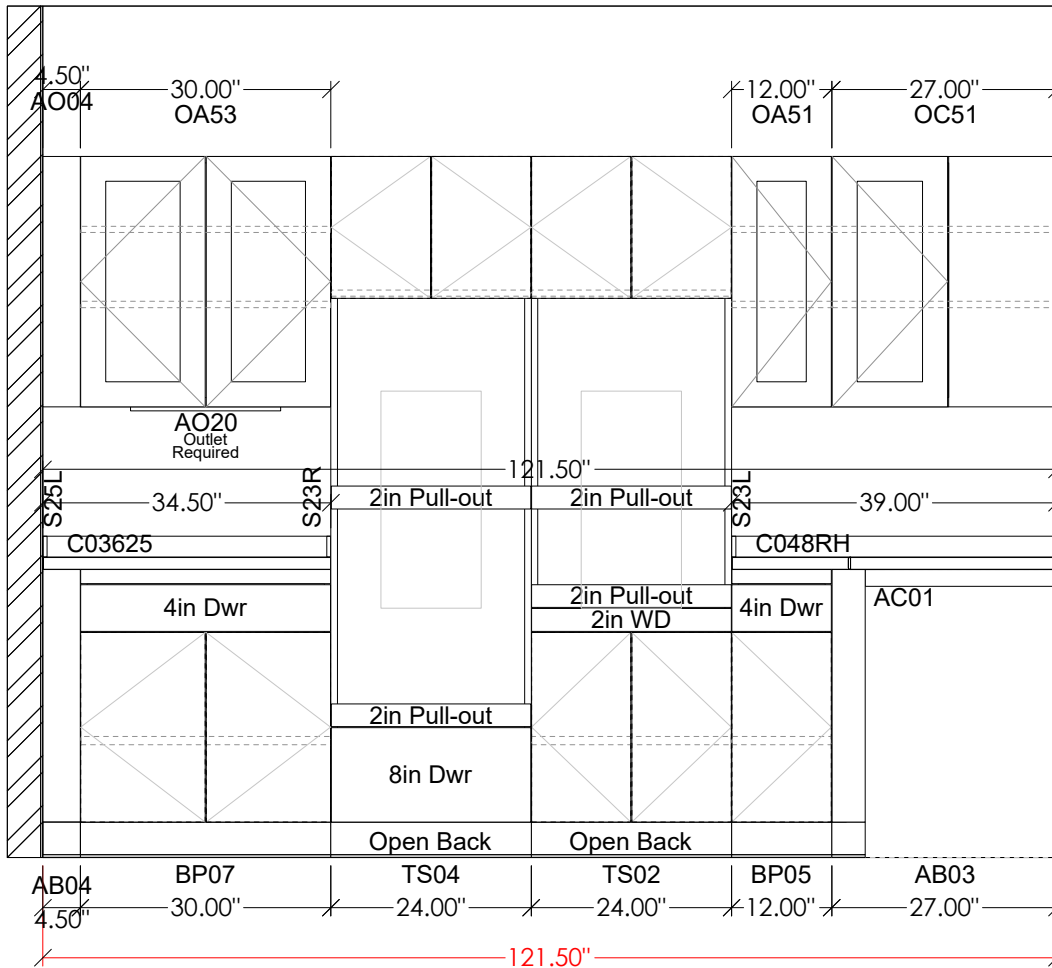
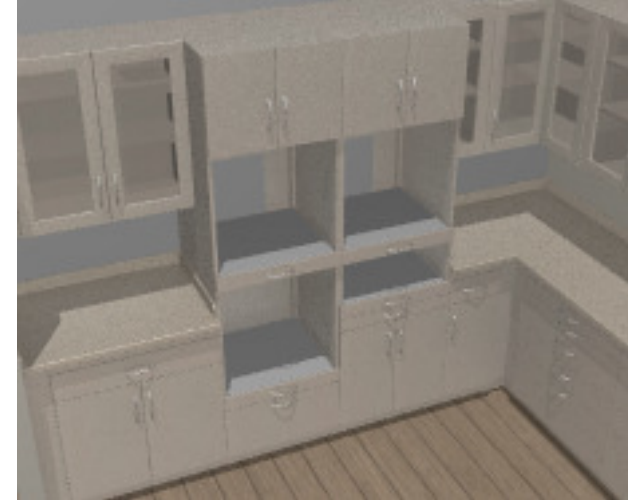
www.midmark.com
 drawings-casework@midmark.com
 Phone: 1-800-MIDMARK

Project Name:	MSU	Project #:	V162848	Phase #:	01	Rev:	N
Base Finish:	490-Fawn	Tasklight:	Included	Top Material:	Solid Surface		
Upper Finish:	490-Fawn	Grommet:	None	Top Color:	Cottage Lane		
Panel Style:	Serenity Panel	Cutout:	None	Note:			
Handle:	Brushed Nickel TBD	Note:		Sink:	None		
Lock:	No Lock	Note:	Field Measurement Required	Faucet:	None		

Signed Drawings Required To Process Order

(Signature) (Date)

See Cover Page For Terms and Conditions



Sterilization

See Countertop Detail Sheet: Solid Surface F, Rolled Edge w/ Set-On BS 0.5" x 2.5"



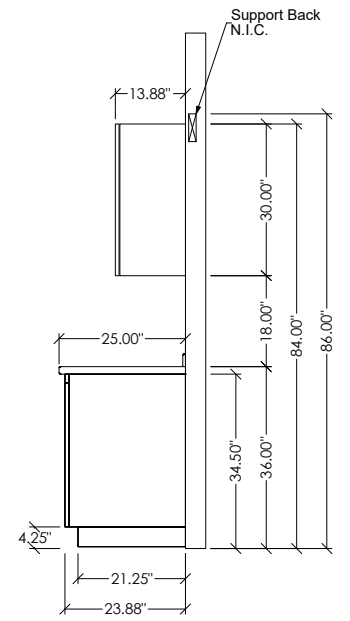
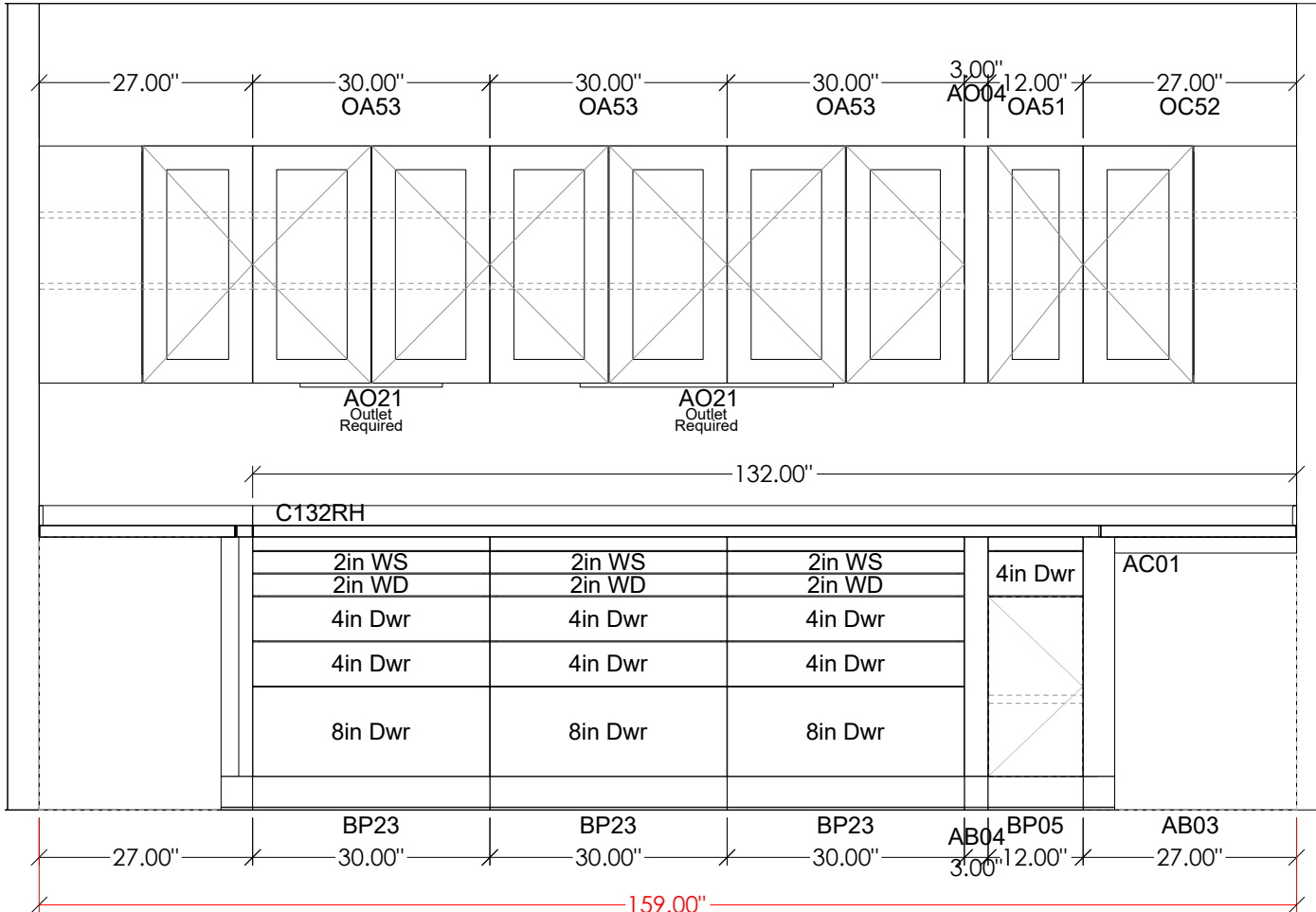
www.midmark.com
 drawings-casework@midmark.com
 Phone: 1-800-MIDMARK

Project Name:	MSU	Project #:	V162848	Phase #:	01	Rev:	N
Base Finish:	490-Fawn	Tasklight:	Included	Top Material:	Solid Surface		
Upper Finish:	490-Fawn	Grommet:	None	Top Color:	Cottage Lane		
Panel Style:	Serenity Panel	Cutout:	None	Note:			
Handle:	Brushed Nickel TBD	Note:		Sink:	None		
Lock:	No Lock	Note:	Field Measurement Required	Faucet:	None		

Signed Drawings Required To Process Order

 (Signature) (Date)

See Cover Page For Terms and Conditions



Sterilization

See Countertop Detail Sheet: Solid Surface F, Rolled Edge w/ Set-On BS 0.5" x 2.5"



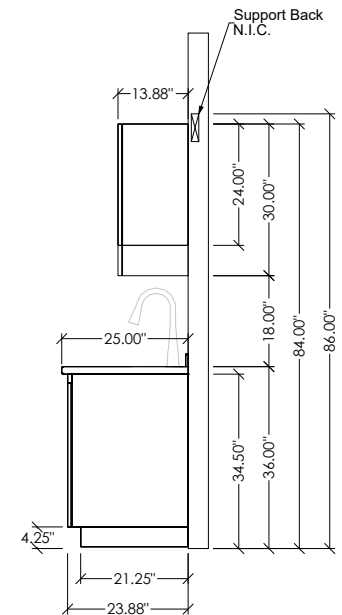
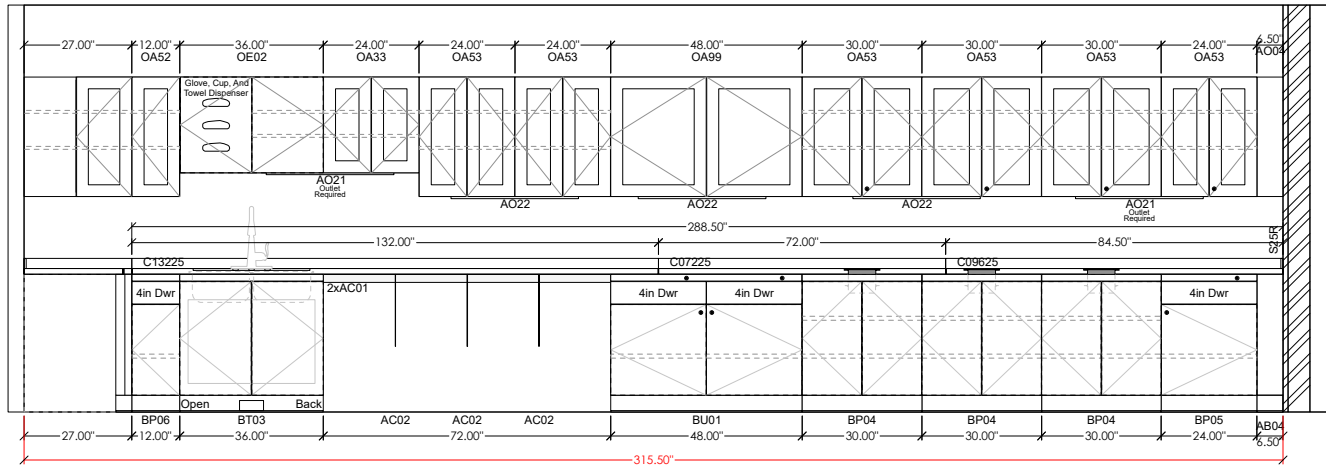
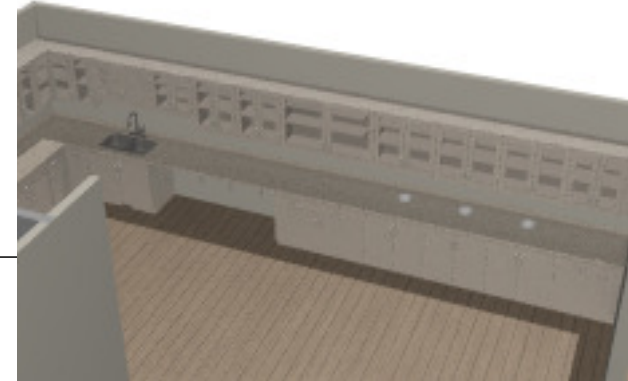
www.midmark.com
 drawings-casework@midmark.com
 Phone: 1-800-MIDMARK

Project Name: MSU	Project #: V162848	Phase #: 01	Rev: N
Base Finish: 490-Fawn	Tasklight: Included	Top Material: Solid Surface	
Upper Finish: 490-Fawn	Grommet: AC22.0606, AC22.0606, AC22.0606	Top Color: Cottage Lane	
Panel Style: Serenity Panel	Cutout: None	Note:	
Handle: Brushed Nickel TBD	Note:	Sink: DXUH3118	
Lock: T105 Keyed Locking (See Elevation)	Note: Field Measurement Required	Faucet: CFT-8CHGSPULL-3	

Signed Drawings Required To Process Order

(Signature) (Date)

See Cover Page For Terms and Conditions



Sterilization

See Countertop Detail Sheet: Solid Surface F, Rolled Edge w/ Set-On BS 0.5" x 2.5"



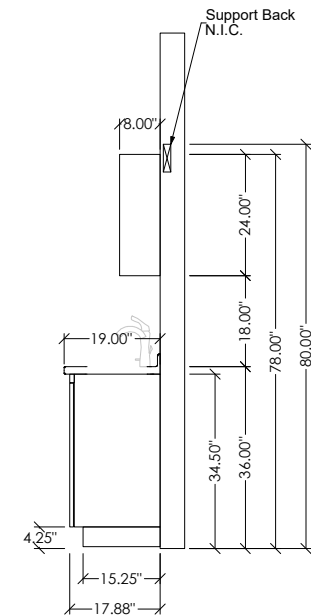
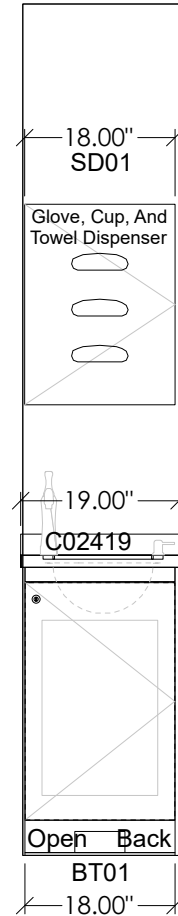
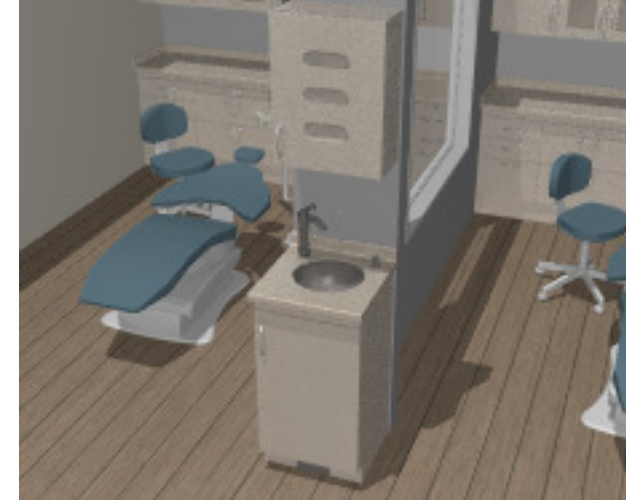
www.midmark.com
 drawings-casework@midmark.com
 Phone: 1-800-MIDMARK

Project Name: MSU	Project #: V162848	Phase #: 01	Rev: N
Base Finish: 490-Fawn	Tasklight: None	Top Material: Solid Surface	
Upper Finish: 490-Fawn	Grommet: None	Top Color: Cottage Lane	
Panel Style: Serenity Panel	Cutout: None	Note:	
Handle: Brushed Nickel TBD	Note:	Sink: 016-1634-00	
Lock: T105 Keyed Locking (See Elevation)	Note:	Faucet: CPA-PMPDSPS-1, CFT-5STPRX-1	

Signed Drawings Required To Process Order

(Signature) **(Date)**

See Cover Page For Terms and Conditions



T-Wall Sink 1

See Countertop Detail Sheet: Solid Surface C, Rolled Edge w/ Int BS 0.5" x 2.5"



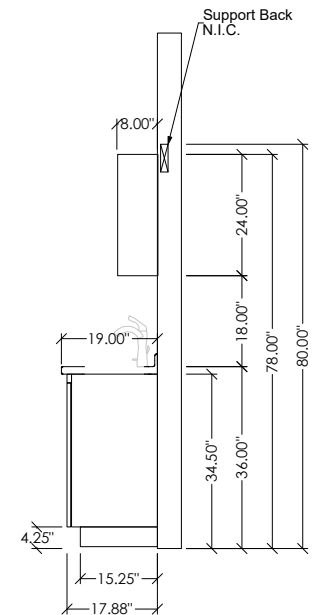
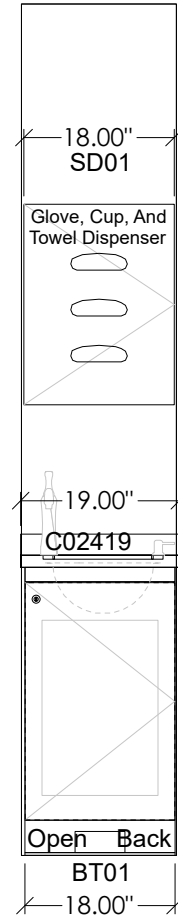
www.midmark.com
 drawings-casework@midmark.com
 Phone: 1-800-MIDMARK

Project Name:	MSU	Project #:	V162848	Phase #:	01	Rev:	N
Base Finish:	490-Fawn	Tasklight:	None	Top Material:	Solid Surface		
Upper Finish:	490-Fawn	Grommet:	None	Top Color:	Cottage Lane		
Panel Style:	Serenity Panel	Cutout:	None	Note:			
Handle:	Brushed Nickel TBD	Note:		Sink:	016-1634-00		
Lock:	T105 Keyed Locking (See Elevation)	Note:		Faucet:	CPA-PMPDSPS-1, CFT-5STPRX-1		

Signed Drawings Required To Process Order

(Signature) (Date)

See Cover Page For Terms and Conditions



T-Wall Sink 2

See Countertop Detail Sheet: Solid Surface C, Rolled Edge w/ Int BS 0.5" x 2.5"



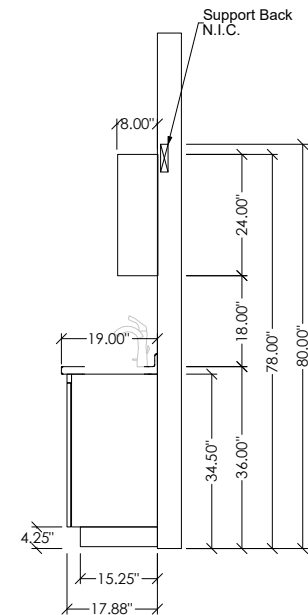
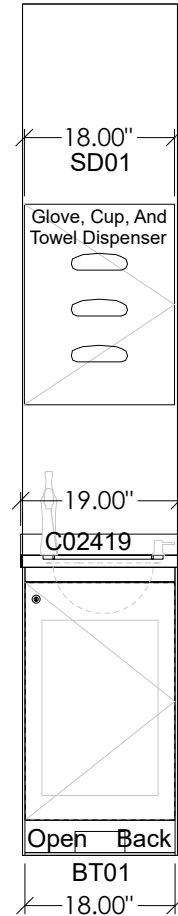
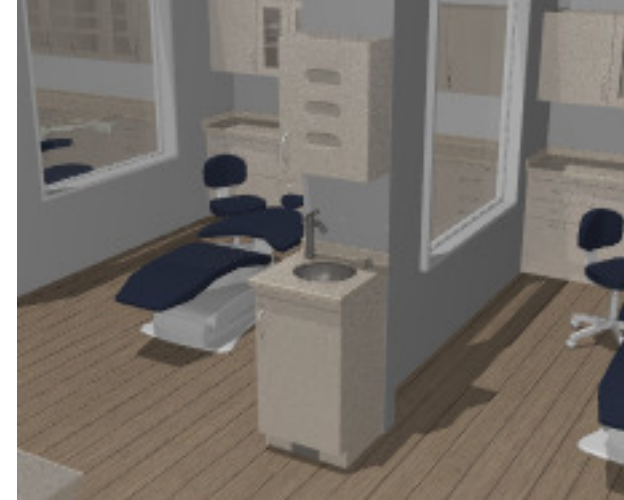
www.midmark.com
 drawings-casework@midmark.com
 Phone: 1-800-MIDMARK

Project Name:	MSU	Project #:	V162848	Phase #:	01	Rev:	N
Base Finish:	490-Fawn	Tasklight:	None	Top Material:	Solid Surface		
Upper Finish:	490-Fawn	Grommet:	None	Top Color:	Cottage Lane		
Panel Style:	Serenity Panel	Cutout:	None	Note:			
Handle:	Brushed Nickel TBD	Note:		Sink:	016-1634-00		
Lock:	T105 Keyed Locking (See Elevation)	Note:		Faucet:	CFT-5STPRX-1, CPA-PMPDSPS-1		

Signed Drawings Required To Process Order

 (Signature) (Date)

See Cover Page For Terms and Conditions



T-Wall Sink 3

See Countertop Detail Sheet: Solid Surface C, Rolled Edge w/ Int BS 0.5" x 2.5"



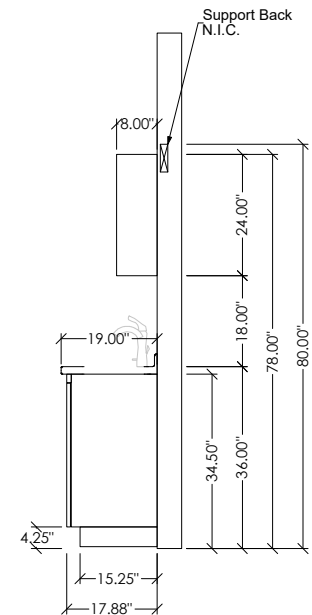
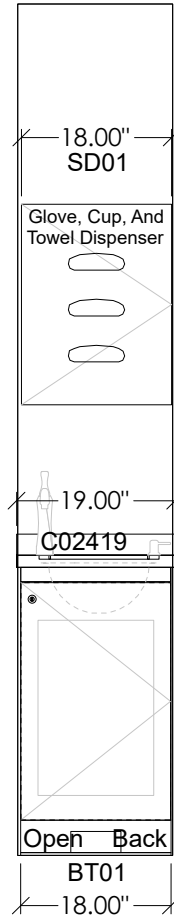
www.midmark.com
 drawings-casework@midmark.com
 Phone: 1-800-MIDMARK

Project Name: MSU	Project #: V162848	Phase #: 01	Rev: N
Base Finish: 490-Fawn	Tasklight: None	Top Material: Solid Surface	
Upper Finish: 490-Fawn	Grommet: None	Top Color: Cottage Lane	
Panel Style: Serenity Panel	Cutout: None	Note:	
Handle: Brushed Nickel TBD	Note:	Sink: 016-1634-00	
Lock: T105 Keyed Locking (See Elevation)	Note:	Faucet: CFT-5STPRX-1, CPA-PMPDSPS-1	

Signed Drawings Required To Process Order

(Signature) (Date)

See Cover Page For Terms and Conditions



T-Wall Sink 4

See Countertop Detail Sheet: Solid Surface C, Rolled Edge w/ Int BS 0.5" x 2.5"



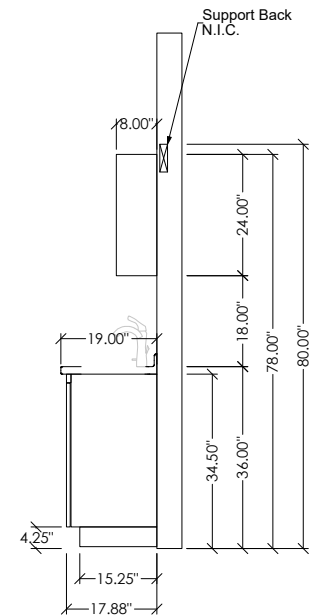
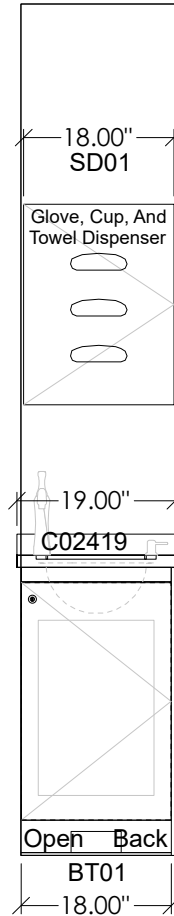
www.midmark.com
 drawings-casework@midmark.com
 Phone: 1-800-MIDMARK

Project Name:	MSU	Project #:	V162848	Phase #:	01	Rev:	N
Base Finish:	490-Fawn	Tasklight:	None	Top Material:	Solid Surface		
Upper Finish:	490-Fawn	Grommet:	None	Top Color:	Cottage Lane		
Panel Style:	Serenity Panel	Cutout:	None	Note:			
Handle:	Brushed Nickel TBD	Note:		Sink:	016-1634-00		
Lock:	T105 Keyed Locking (See Elevation)	Note:		Faucet:	CFT-5STPRX-1, CPA-PMPDSPS-1		

Signed Drawings Required To Process Order

(Signature) (Date)

See Cover Page For Terms and Conditions



T-Wall Sink 5

See Countertop Detail Sheet: Solid Surface C, Rolled Edge w/ Int BS 0.5" x 2.5"



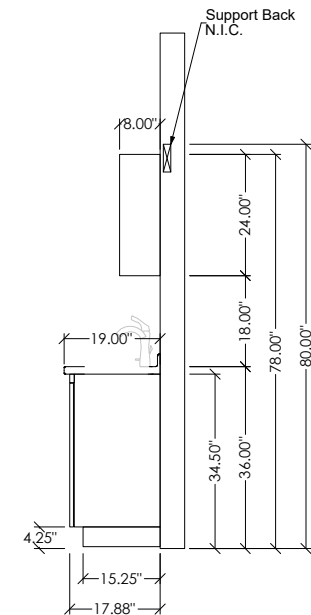
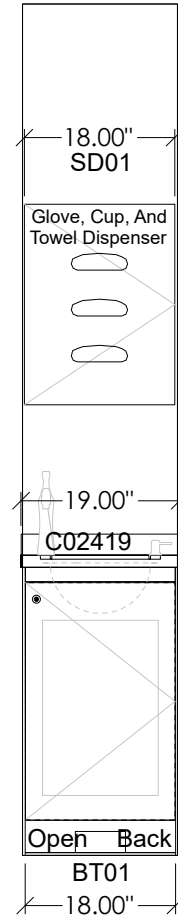
www.midmark.com
 drawings-casework@midmark.com
 Phone: 1-800-MIDMARK

Project Name:	MSU	Project #:	V162848	Phase #:	01	Rev:	N
Base Finish:	490-Fawn	Tasklight:	None	Top Material:	Solid Surface		
Upper Finish:	490-Fawn	Grommet:	None	Top Color:	Cottage Lane		
Panel Style:	Serenity Panel	Cutout:	None	Note:			
Handle:	Brushed Nickel TBD	Note:		Sink:	016-1634-00		
Lock:	T105 Keyed Locking (See Elevation)	Note:		Faucet:	CFT-5STPRX-1, CPA-PMPDSPS-1		

Signed Drawings Required To Process Order

(Signature) **(Date)**

See Cover Page For Terms and Conditions



T-Wall Sink 6

See Countertop Detail Sheet: Solid Surface C, Rolled Edge w/ Int BS 0.5" x 2.5"



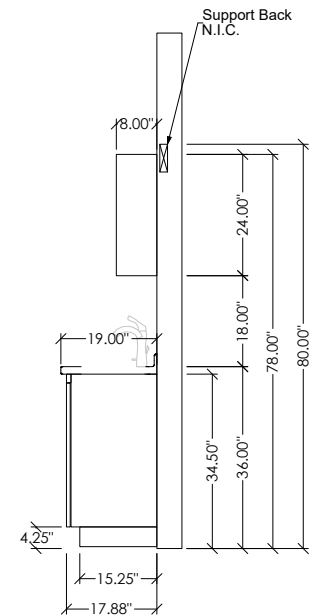
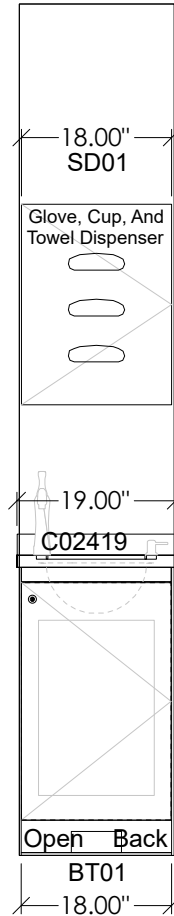
www.midmark.com
 drawings-casework@midmark.com
 Phone: 1-800-MIDMARK

Project Name:	MSU	Project #:	V162848	Phase #:	01	Rev:	N
Base Finish:	490-Fawn	Tasklight:	None	Top Material:	Solid Surface		
Upper Finish:	490-Fawn	Grommet:	None	Top Color:	Cottage Lane		
Panel Style:	Serenity Panel	Cutout:	None	Note:			
Handle:	Brushed Nickel TBD	Note:		Sink:	016-1634-00		
Lock:	T105 Keyed Locking (See Elevation)	Note:		Faucet:	CFT-5STPRX-1, CPA-PMPDSPS-1		

Signed Drawings Required To Process Order

(Signature) (Date)

See Cover Page For Terms and Conditions



T-Wall Sink 7

See Countertop Detail Sheet: Solid Surface C, Rolled Edge w/ Int BS 0.5" x 2.5"



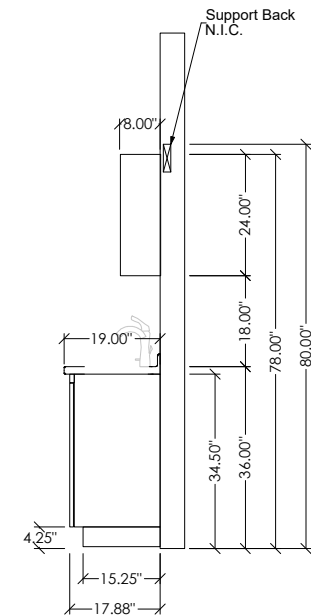
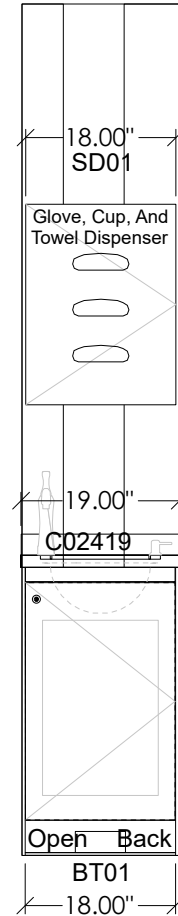
www.midmark.com
 drawings-casework@midmark.com
 Phone: 1-800-MIDMARK

Project Name:	MSU	Project #:	V162848	Phase #:	01	Rev:	N
Base Finish:	490-Fawn	Tasklight:	None	Top Material:	Solid Surface		
Upper Finish:	490-Fawn	Grommet:	None	Top Color:	Cottage Lane		
Panel Style:	Serenity Panel	Cutout:	None	Note:			
Handle:	Brushed Nickel TBD	Note:		Sink:	016-1634-00		
Lock:	T105 Keyed Locking (See Elevation)	Note:		Faucet:	CFT-5STPRX-1, CPA-PMPDSPS-1		

Signed Drawings Required To Process Order

(Signature) **(Date)**

See Cover Page For Terms and Conditions



T-Wall Sink 8

See Countertop Detail Sheet: Solid Surface C, Rolled Edge w/ Int BS 0.5" x 2.5"



www.midmark.com
 design@midmark.com
 Phone: 1-800-MIDMARK

Project Name: **MSU**

Project #: **V162848**

Phase #: **01**

Rev: **N**

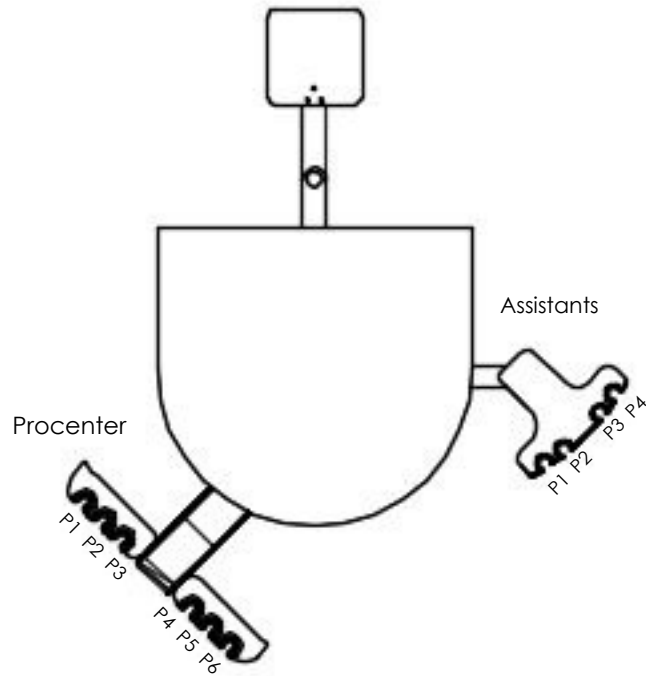
**Signed Drawings Required To
 Process Order**

Worksurface Drawing

(Signature)

(Date)

See Cover Page For Terms and Conditions



153659-002

Work Surface Options

Assistant Instrument Options

- Support: None
- Top: (Standard) - Corian Top
- P1: (Standard) - Unheated Syringe
- P2: (Standard) - HVE
- Chair Control: (Standard) - Not Included
- P3: (Standard) - Saliva Ejector
- P4: (Standard) - Open

Procenter Instrument Options

- P1: (Standard) - Unheated Syringe
- P2: (Standard) - Handpiece Position Not Included
- P3: (Standard) - 4 Hole Tubing
- Chair Control: (Standard) - Not Included
- P4: (Standard) - 4 Hole Tubing
- P5: (Standard) - Handpiece Position Not Included
- P6: (Standard) - 4 Hole Tubing



Countertop Detail Sheet

Solid Surface Detail C
Integrated Backsplash 0.5" x 2.5"

Design Considerations:

- * 19", 25, & 31" tops available.
- * Solid surface tops that exceed 144" or form an "L" shape will be sent as multiple pieces and require field seaming by a licensed solid surface installer.
- * Integrated sinks and chutes will be attached.
- * Midmark will only provide the sink and faucet cut outs if sink and faucet are purchased from Midmark.
- * Solid surface tops will be manufactured based on the field measurements provided at the time of order.
- * Contingent on design, side splash depth next to tall towers and drop down Ultra Sonic areas will be shorter than top.
- * Standard countertop overhang for base cabinets is 1/2".
- * Dental undermount sinks will be attached.

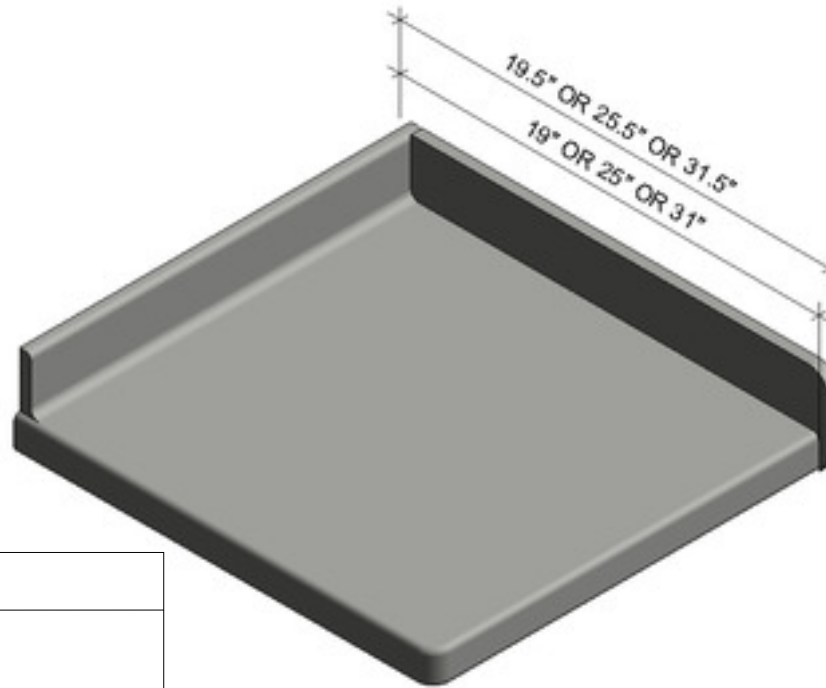
Material: 1/2" thick solid surface, 1-1/2" thick top with 1" thick, by 2.5" tall integrated backsplash, total height 4".

Brands: DuPont Corian

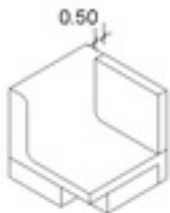
Colors: See color guide for standard color options; for non standard color options please call to confirm availability and extended leaded time.

Features & Benefits:

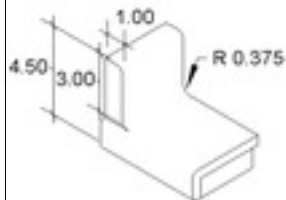
- * 3/8" radius front edge profile.
- * Outside corners of solid surface tops will have a 3/4" radius.
- * Loose set on side splash available, contoured to fit profile, 1/2" thick with waterfall front.
- * Integrated solid surface sink for Medical or Animal Health will be Cameo White; Dental sinks will be Glacier White.
- * 1" thick set on backsplash.



Detail Drawings with Exact Dimensions



Sidesplash Detail



Backsplash Detail



Front Edge Detail



Countertop Detail Sheet

Solid Surface Detail F Set-on Backsplash 0.5" x 2.5"

Design Considerations:

- * 19", 25, & 31" tops available.
- * Solid surface tops that exceed 144" or form an "L" shape will be sent as multiple pieces and require field seaming by a licensed solid surface installer.
- * Integrated sinks and chutes will be attached.
- * Midmark will only provide the sink and faucet cut outs if sink and faucet are purchased from Midmark.
- * Solid surface tops will be manufactured based on the field measurements provided at the time of order.
- * Contingent on design, side splash depth next to tall towers and drop down ultra sonic areas will be shorter than top.
- * Standard countertop overhang for base cabinets is 1/2".
- * Dental undermount sinks will be attached.

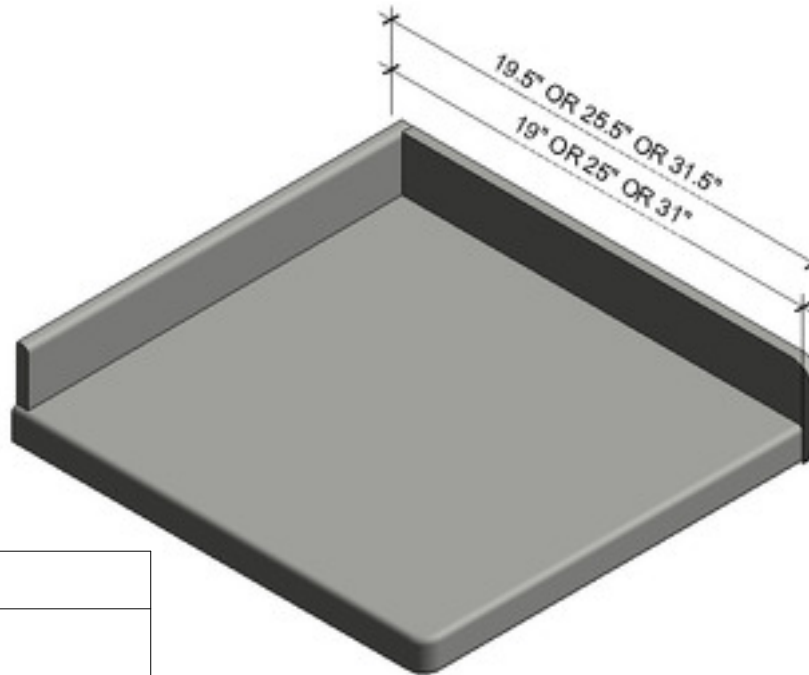
Material: 1/2" thick solid surface, 1-1/2" thick top with 1" thick by 2-1/2" tall set on backsplash, total height 4".

Brands: DuPont Corian

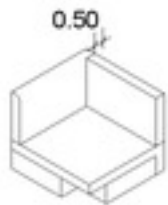
Colors: See color guide for standard color options; for non standard color options please call to confirm availability and extended leaded time.

Features & Benefits:

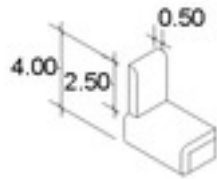
- * 3/8" radius front edge profile.
- * Outside corners of solid surface tops will have a 3/4" radius.
- * Loose set on side splash available, contoured to fit profile, 1/2" thick with waterfall front.
- * Integrated solid surface sink for Medical or Animal Health will be Cameo White; Dental sinks will be Glacier White.
- * 1" thick set on backsplash.



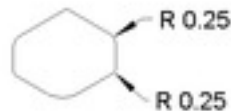
Detail Drawings with Exact Dimensions



Sidesplash Detail



Backsplash Detail



Front Edge Detail



Laminate countertop: Grommet is a separate part; it will be a line item in the pricing.

Corian countertop:

- Part of the countertop = Yes, grommet is part of the countertop; it will not have a line item in the pricing.

- Part of the countertop = No, grommet is a separate part; it will be a line item in the pricing.

Waste Grommet

AC20.0601



Color: Black

Size: 6in opening

Part of a Corian countertop: No

Includes Trash Can

AC23.0401



Color: Black

Size: 4in opening

Part of a Corian countertop: No

AC23.0601



Color: Black

Size: 6in opening

Part of a Corian countertop: No

AC28.0602



Color: Stainless Steel

Size: 5.375in opening

Part of a Corian countertop: No

Waste Chute

AC21.0406



Color: White

Size: 4in opening

Part of a Corian countertop: Yes

AC21.0606



Color: White

Size: 6in opening

Part of a Corian countertop: Yes

AC22.0406



Color: White

Size: 4in opening

Part of a Corian countertop: Yes

AC22.0606



Color: White

Size: 6in opening

Part of a Corian countertop: Yes

AC29.0406



Color: White

Size: 4in opening

Part of a Corian countertop: Yes

Wire Grommet

AC24.0201



Color: Putty

Size: 1.625in opening

Part of a Corian countertop: No

AC25.0101



Color: Black

Size: .5625in opening

Part of a Corian countertop: No

AC26.0101



Color: Putty

Size: .5625in opening

Part of a Corian countertop: No

AC27.0201



Color: Black

Size: 1.625in opening

Part of a Corian countertop: No



www.midmark.com
drawings-casework@midmark.com
Phone: 1-800-MIDMARK

Project Name: **MSU**

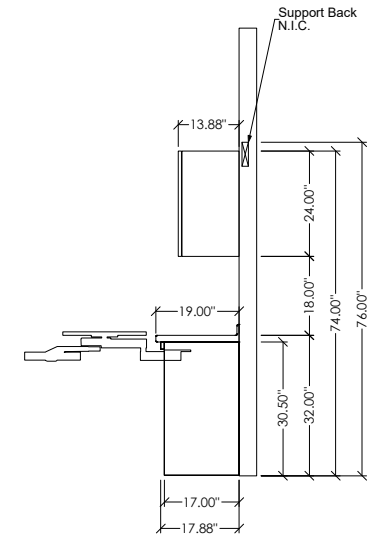
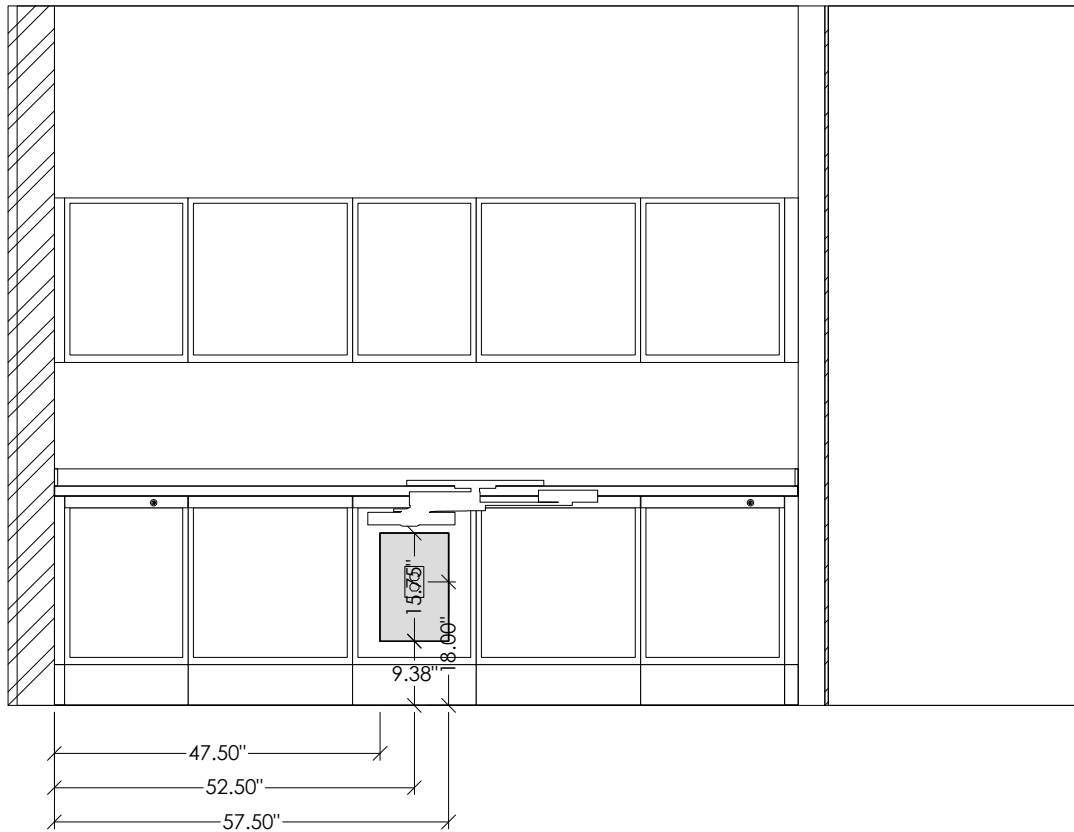
Drawing #: V162848

Rev: N

Plumbing and Electrical Specs.

Note: All local, state, and federal electrical & plumbing codes are to be followed when installing.

This drawing is the sole property of Midmark Corporation and is to be used for illustration only. Actual product appearance may vary.





www.midmark.com
drawings-casework@midmark.com
Phone: 1-800-MIDMARK

Project Name: **MSU**

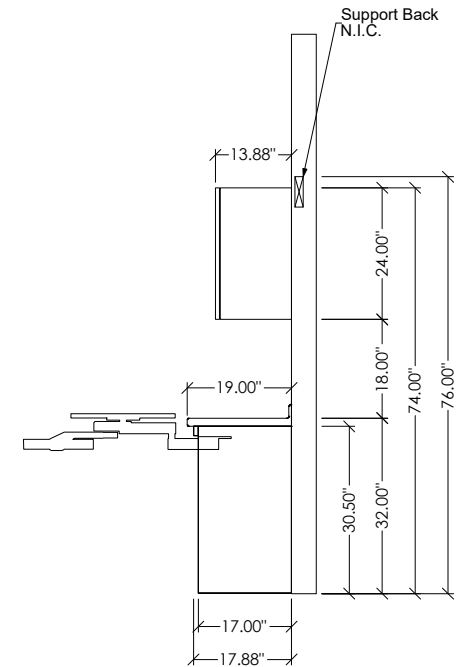
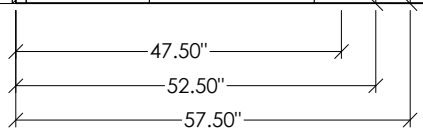
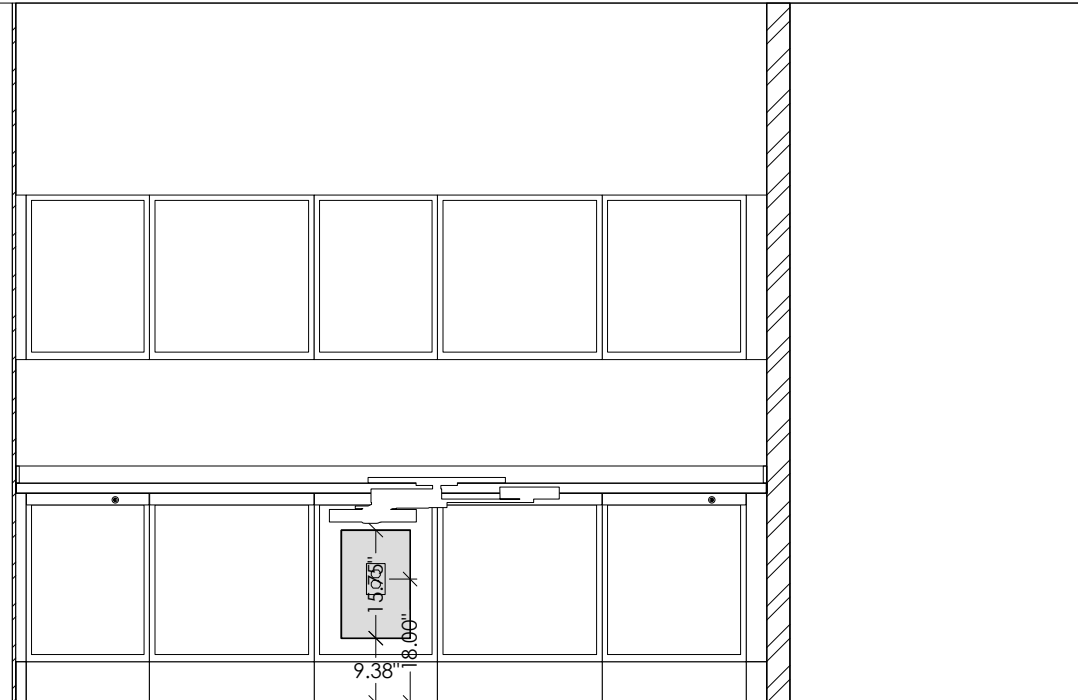
Drawing #: V162848

Rev: N

Plumbing and Electrical Specs.

This drawing is the sole property of Midmark Corporation and is to be used for illustration only. Actual product appearance may vary.

Note: All local, state, and federal electrical & plumbing codes are to be followed when installing.





www.midmark.com
drawings-casework@midmark.com
Phone: 1-800-MIDMARK

Project Name: **MSU**

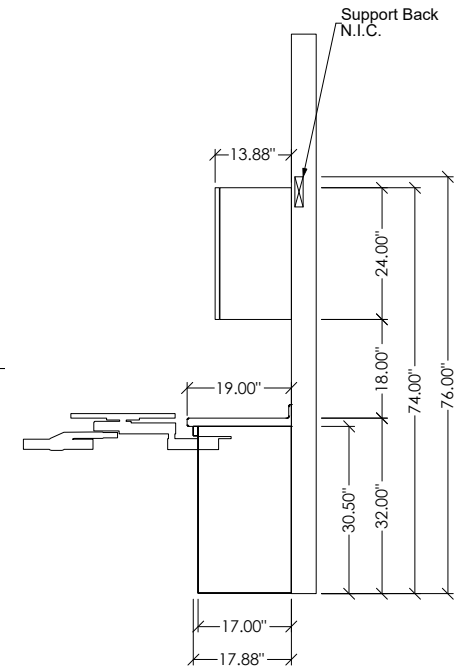
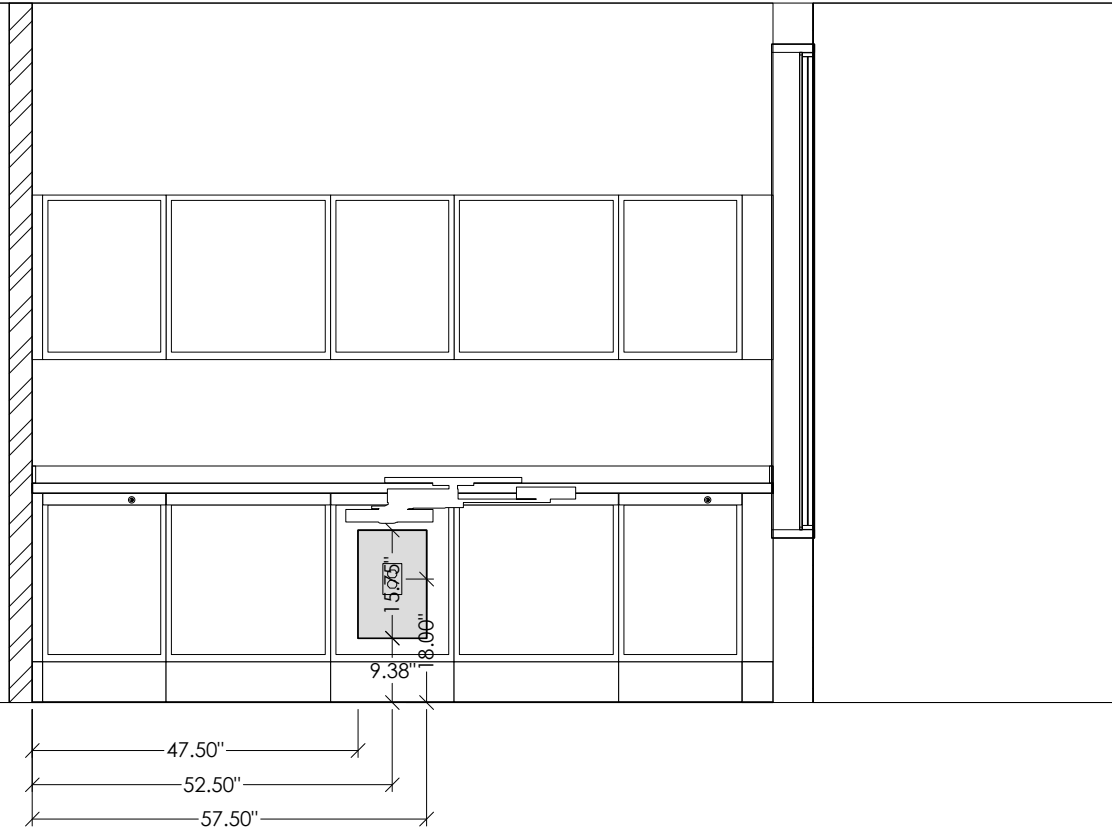
Drawing #: V162848

Rev: N

Plumbing and Electrical Specs.

This drawing is the sole property of Midmark Corporation and is to be used for illustration only. Actual product appearance may vary.

Note: All local, state, and federal electrical & plumbing codes are to be followed when installing.





www.midmark.com
drawings-casework@midmark.com
Phone: 1-800-MIDMARK

Project Name: **MSU**

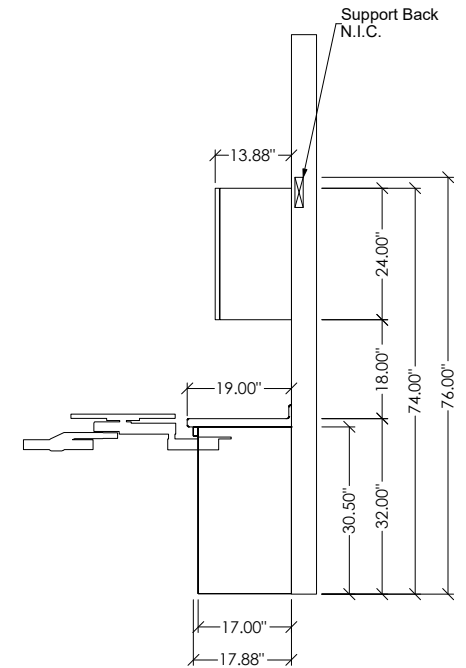
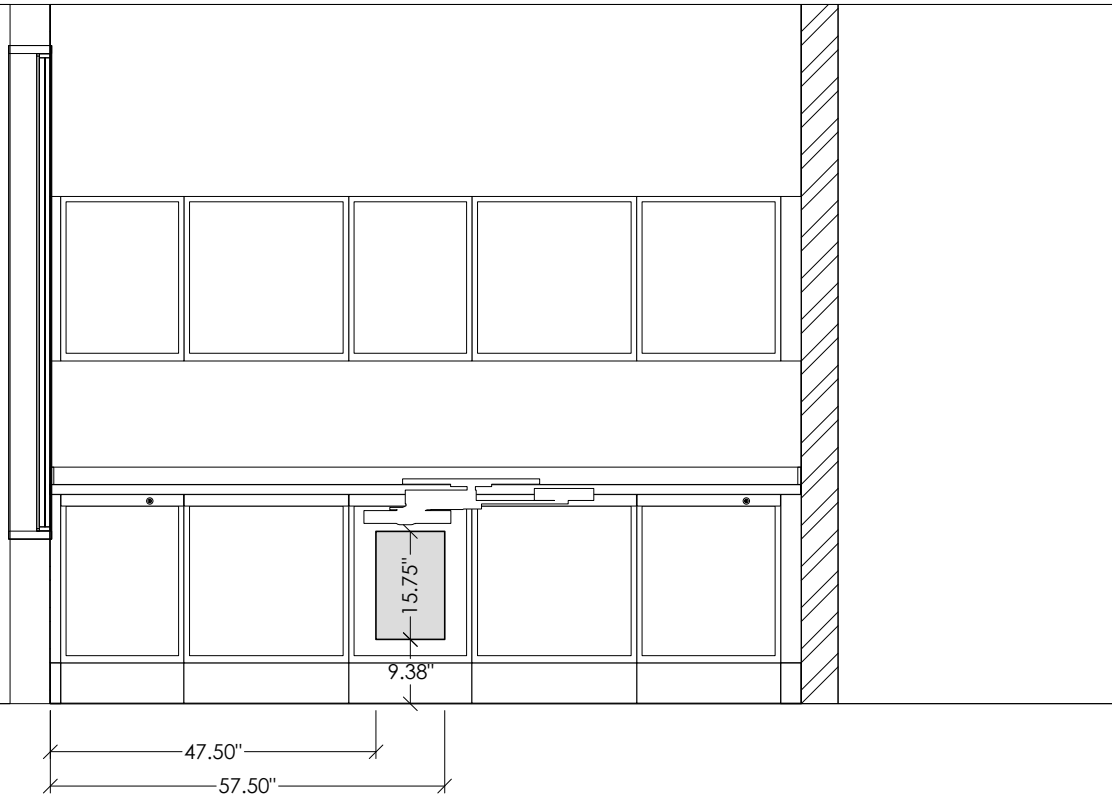
Drawing #: V162848

Rev: N

Plumbing and Electrical Specs.

Note: All local, state, and federal electrical & plumbing codes are to be followed when installing.

This drawing is the sole property of Midmark Corporation and is to be used for illustration only. Actual product appearance may vary.





www.midmark.com
drawings-casework@midmark.com
Phone: 1-800-MIDMARK

Project Name: **MSU**

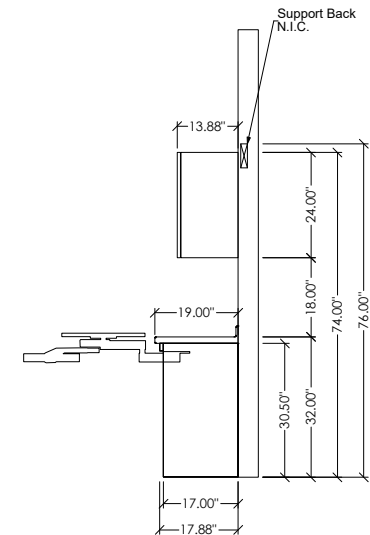
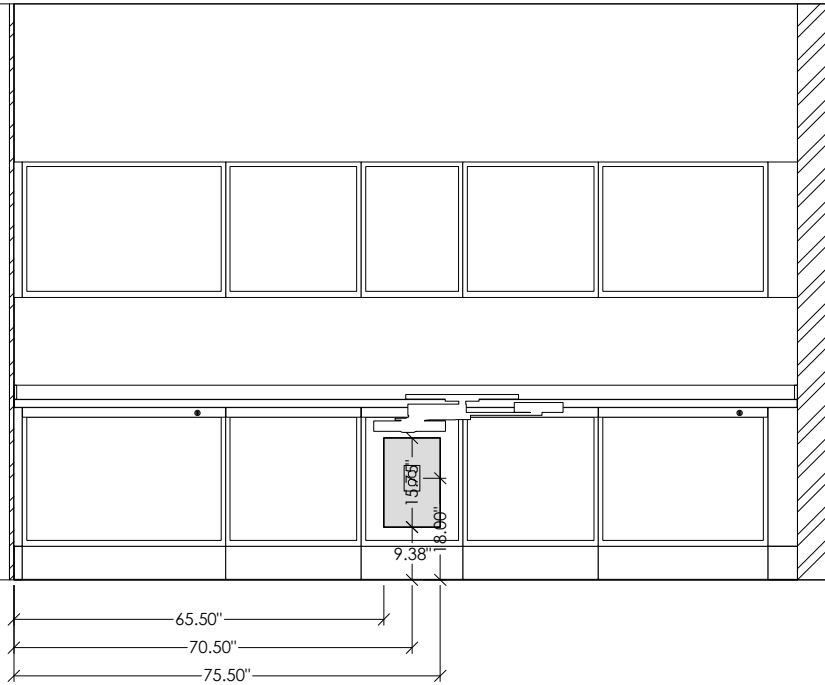
Drawing #: V162848

Rev: N

Plumbing and Electrical Specs.

Note: All local, state, and federal electrical & plumbing codes are to be followed when installing.

This drawing is the sole property of Midmark Corporation and is to be used for illustration only. Actual product appearance may vary.





www.midmark.com
drawings-casework@midmark.com
Phone: 1-800-MIDMARK

Project Name: **MSU**

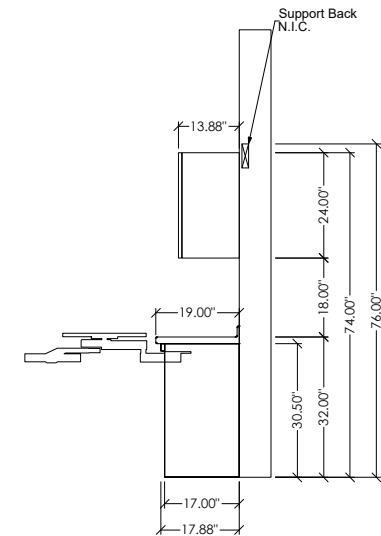
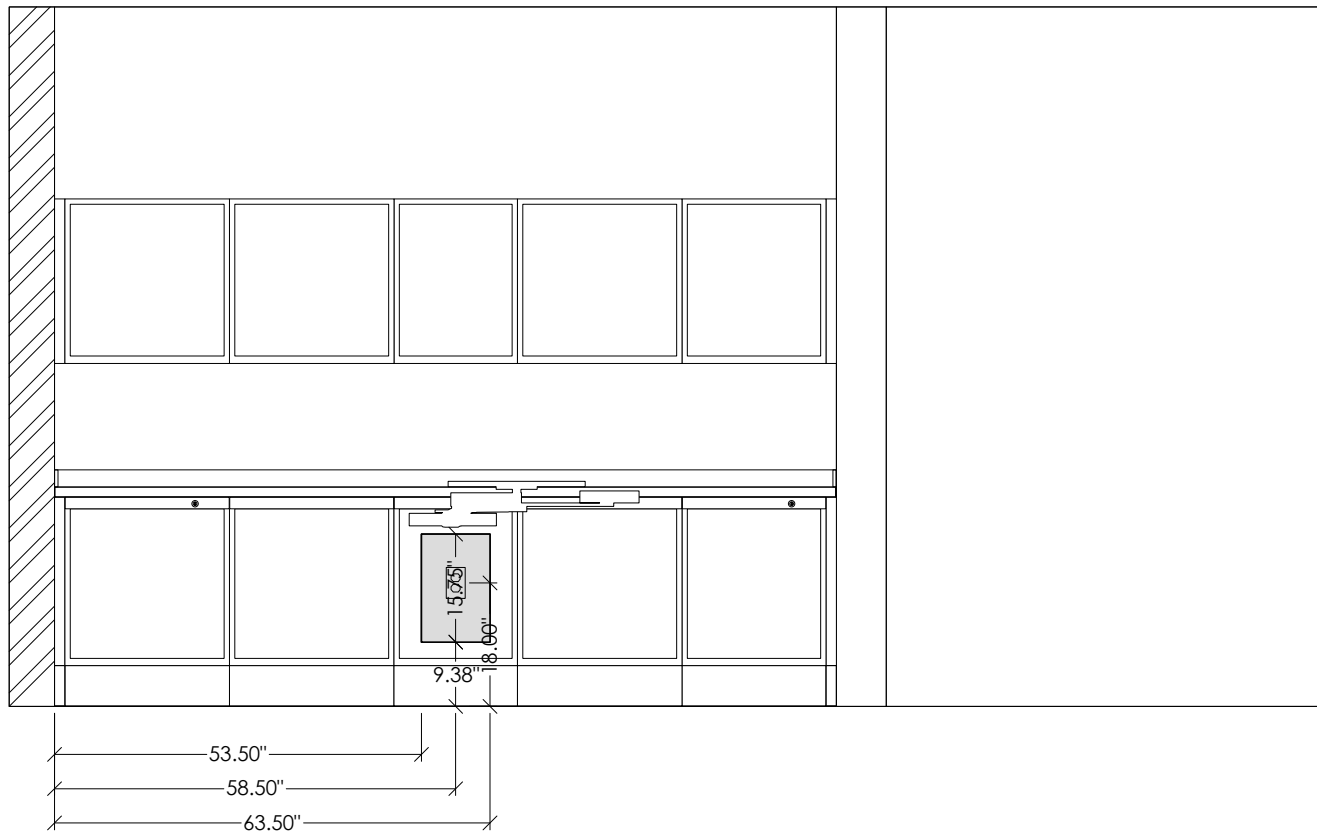
Drawing #: V162848

Rev: N

Plumbing and Electrical Specs.

This drawing is the sole property of Midmark Corporation and is to be used for illustration only. Actual product appearance may vary.

Note: All local, state, and federal electrical & plumbing codes are to be followed when installing.





www.midmark.com
drawings-casework@midmark.com
Phone: 1-800-MIDMARK

Project Name: **MSU**

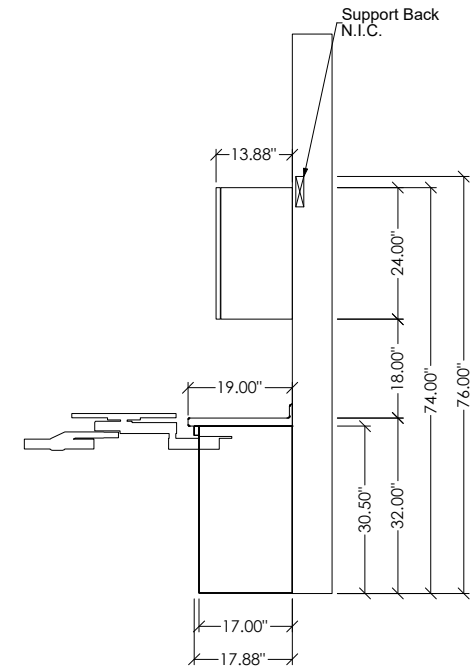
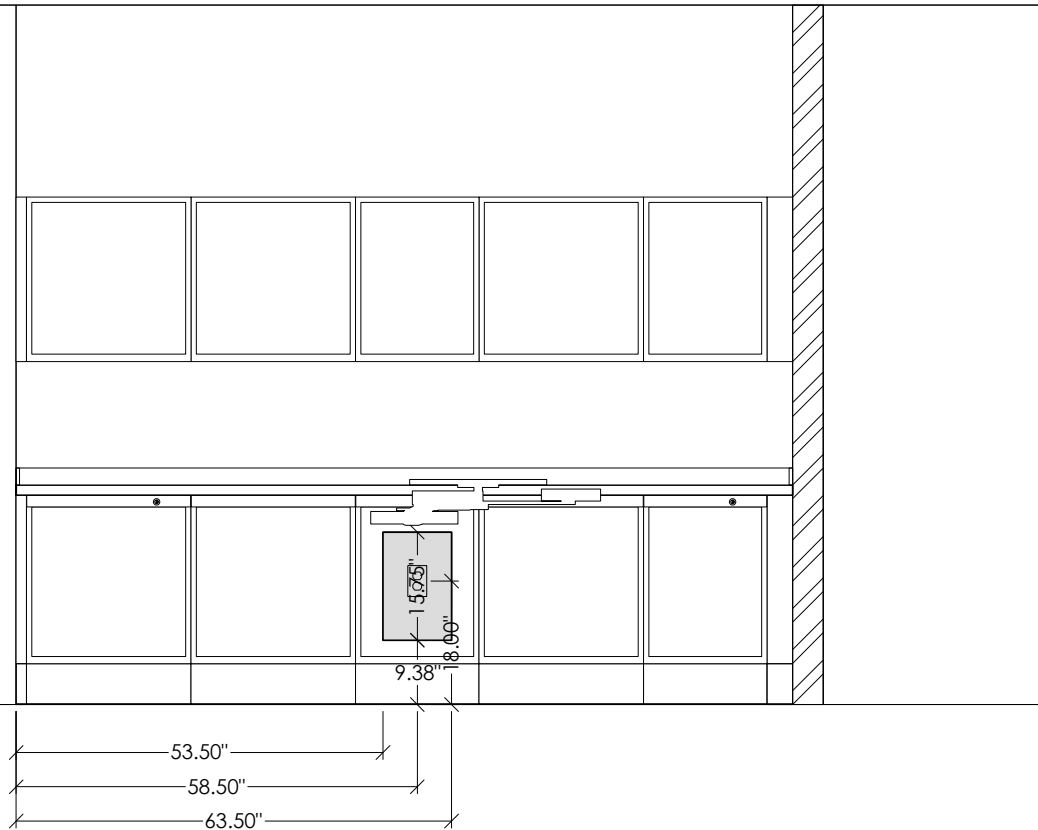
Drawing #: V162848

Rev: N

Plumbing and Electrical Specs.

This drawing is the sole property of Midmark Corporation and is to be used for illustration only. Actual product appearance may vary.

Note: All local, state, and federal electrical & plumbing codes are to be followed when installing.





www.midmark.com
drawings-casework@midmark.com
Phone: 1-800-MIDMARK

Project Name: **MSU**

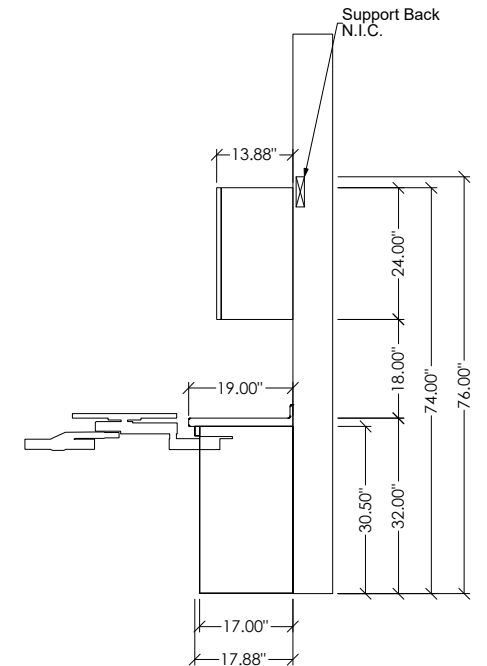
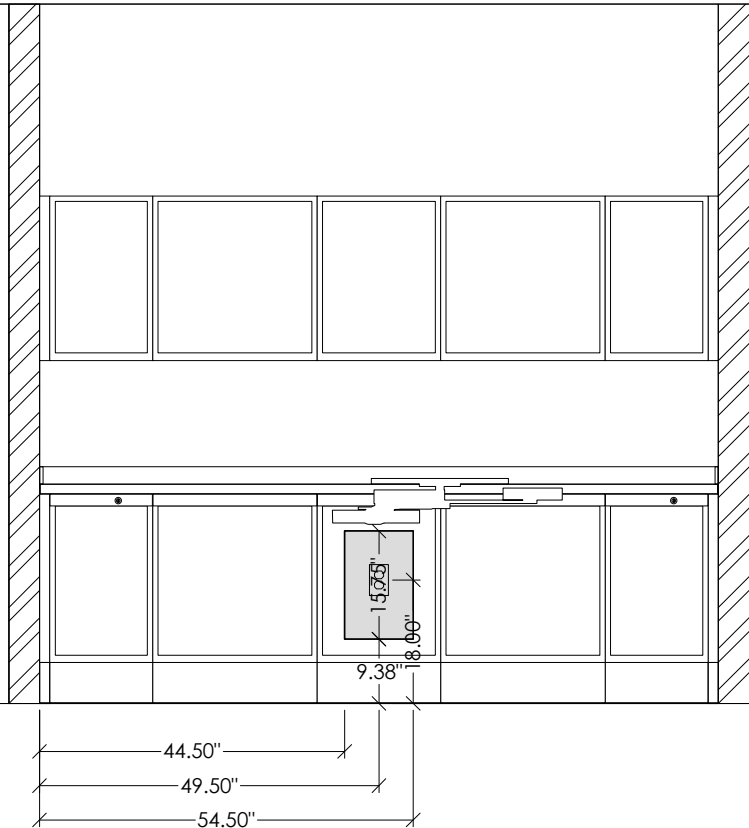
Drawing #: V162848

Rev: N

Plumbing and Electrical Specs.

This drawing is the sole property of Midmark Corporation and is to be used for illustration only. Actual product appearance may vary.

Note: All local, state, and federal electrical & plumbing codes are to be followed when installing.





www.midmark.com
drawings-casework@midmark.com
Phone: 1-800-MIDMARK

Project Name: **MSU**

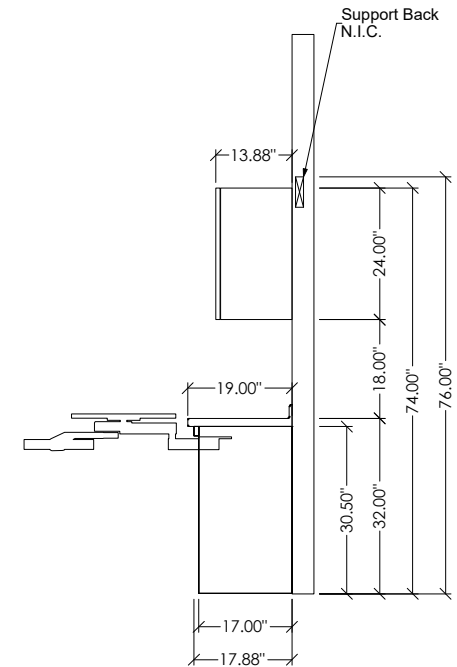
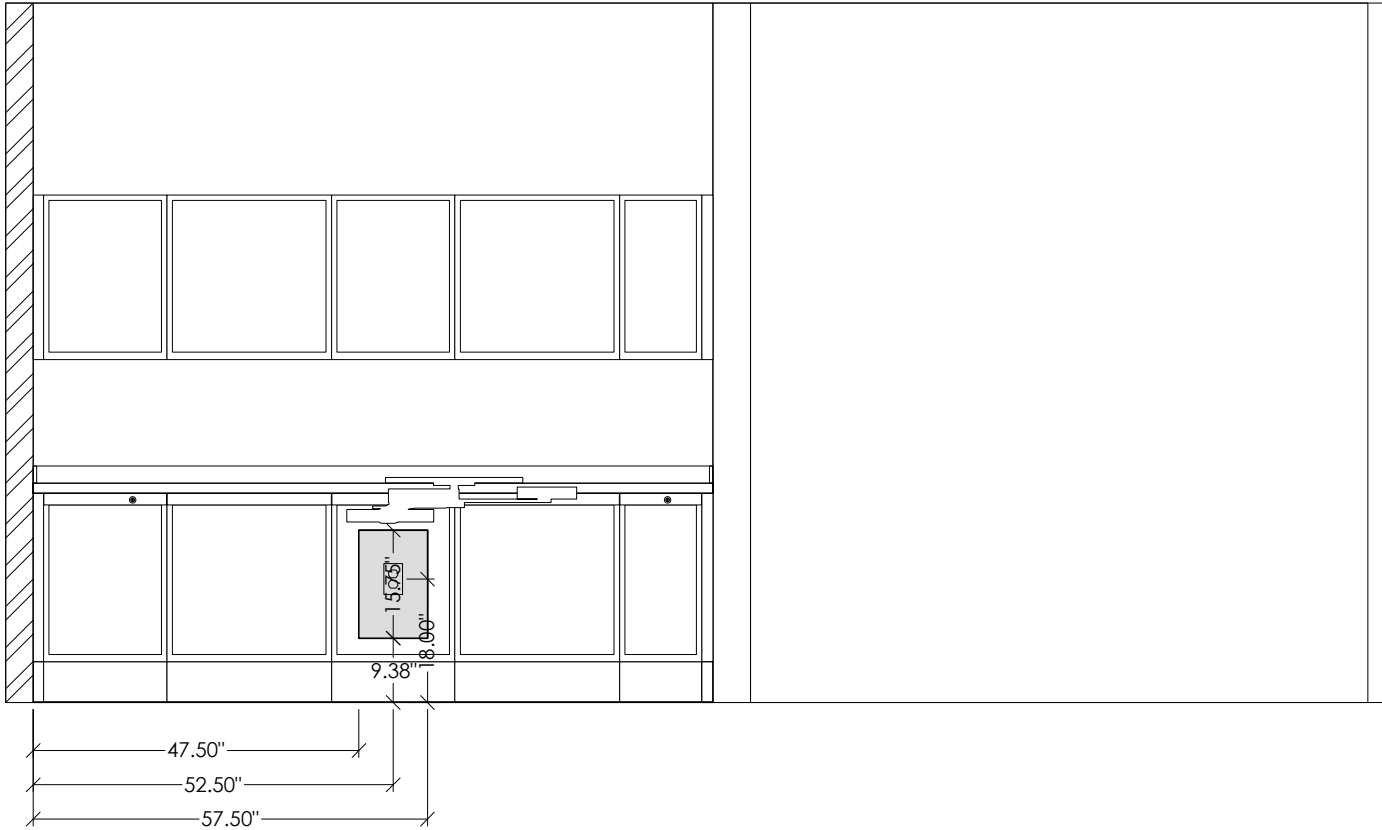
Drawing #: V162848

Rev: N

Plumbing and Electrical Specs.

Note: All local, state, and federal electrical & plumbing codes are to be followed when installing.

This drawing is the sole property of Midmark Corporation and is to be used for illustration only. Actual product appearance may vary.





www.midmark.com
drawings-casework@midmark.com
Phone: 1-800-MIDMARK

Project Name: **MSU**

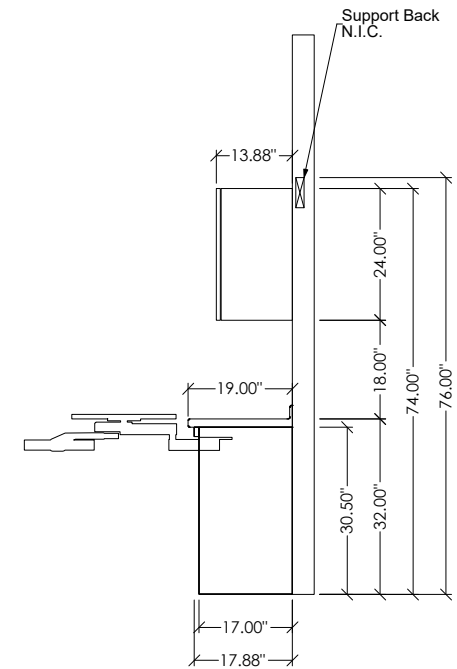
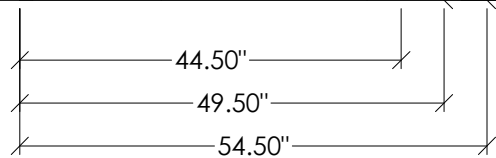
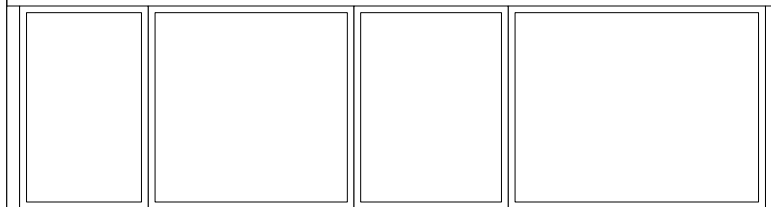
Drawing #: V162848

Rev: N

Plumbing and Electrical Specs.

This drawing is the sole property of Midmark Corporation and is to be used for illustration only. Actual product appearance may vary.

Note: All local, state, and federal electrical & plumbing codes are to be followed when installing.





www.midmark.com
drawings-casework@midmark.com
Phone: 1-800-MIDMARK

Project Name: **MSU**

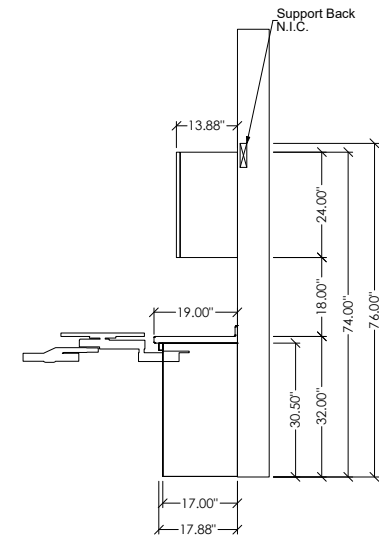
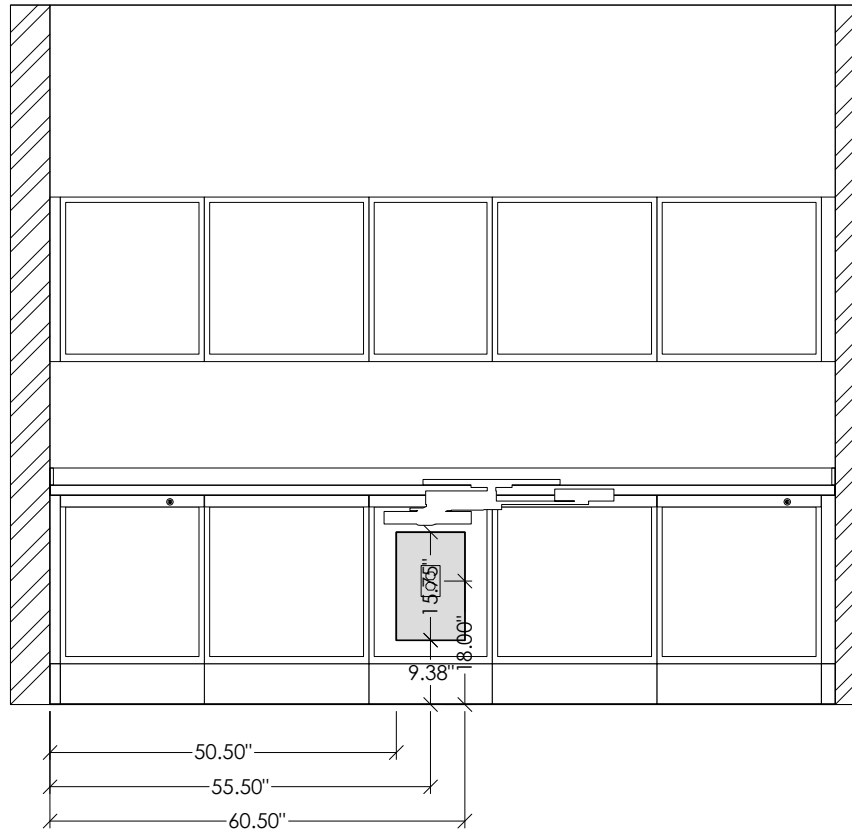
Drawing #: V162848

Rev: N

Plumbing and Electrical Specs.

Note: All local, state, and federal electrical & plumbing codes are to be followed when installing.

This drawing is the sole property of Midmark Corporation and is to be used for illustration only. Actual product appearance may vary.





www.midmark.com
drawings-casework@midmark.com
Phone: 1-800-MIDMARK

Project Name: **MSU**

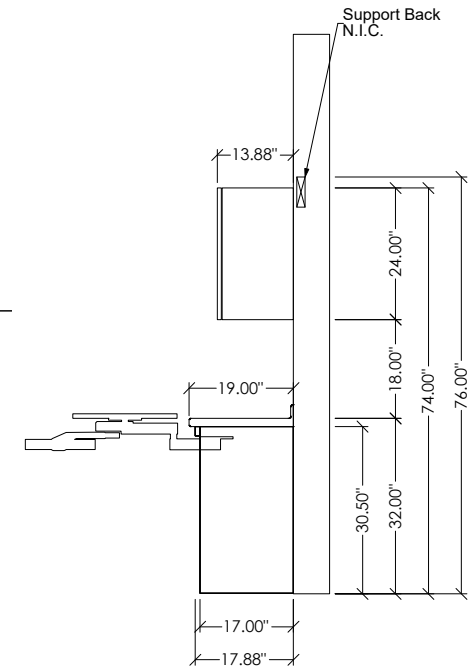
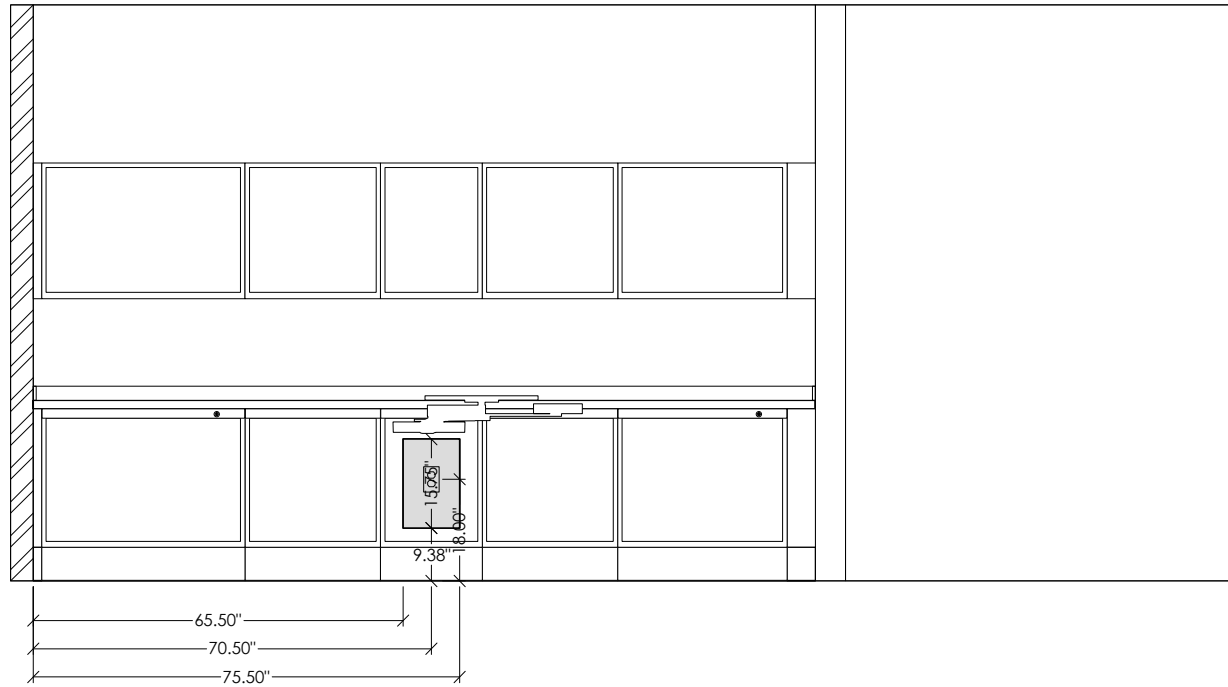
Drawing #: V162848

Rev: N

Plumbing and Electrical Specs.

This drawing is the sole property of Midmark Corporation and is to be used for illustration only. Actual product appearance may vary.

Note: All local, state, and federal electrical & plumbing codes are to be followed when installing.





www.midmark.com
drawings-casework@midmark.com
Phone: 1-800-MIDMARK

Project Name: **MSU**

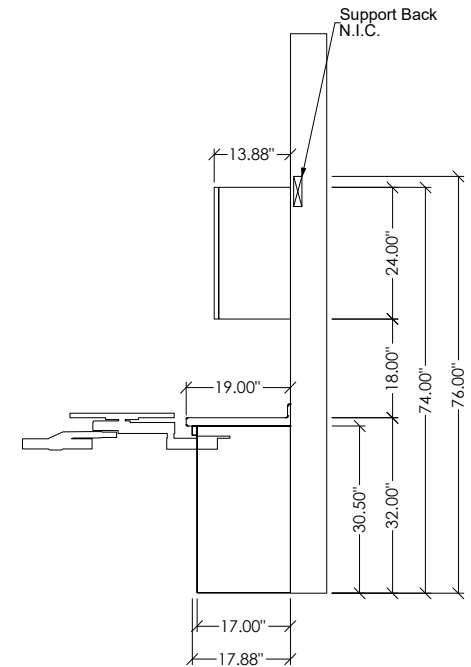
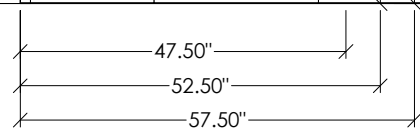
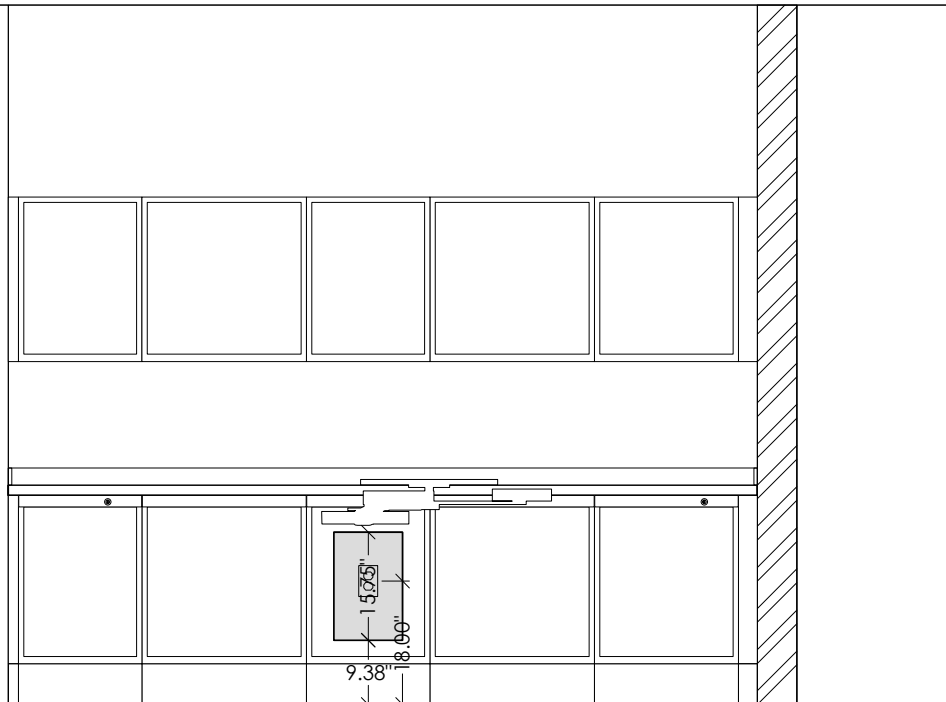
Drawing #: V162848

Rev: N

Plumbing and Electrical Specs.

This drawing is the sole property of Midmark Corporation and is to be used for illustration only. Actual product appearance may vary.

Note: All local, state, and federal electrical & plumbing codes are to be followed when installing.





www.midmark.com
drawings-casework@midmark.com
Phone: 1-800-MIDMARK

Project Name: **MSU**

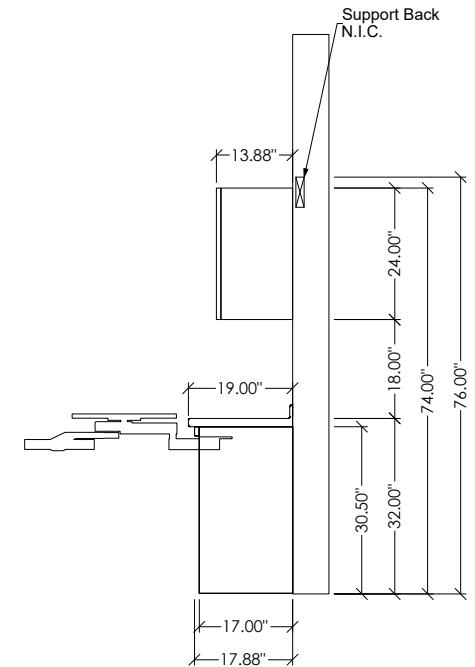
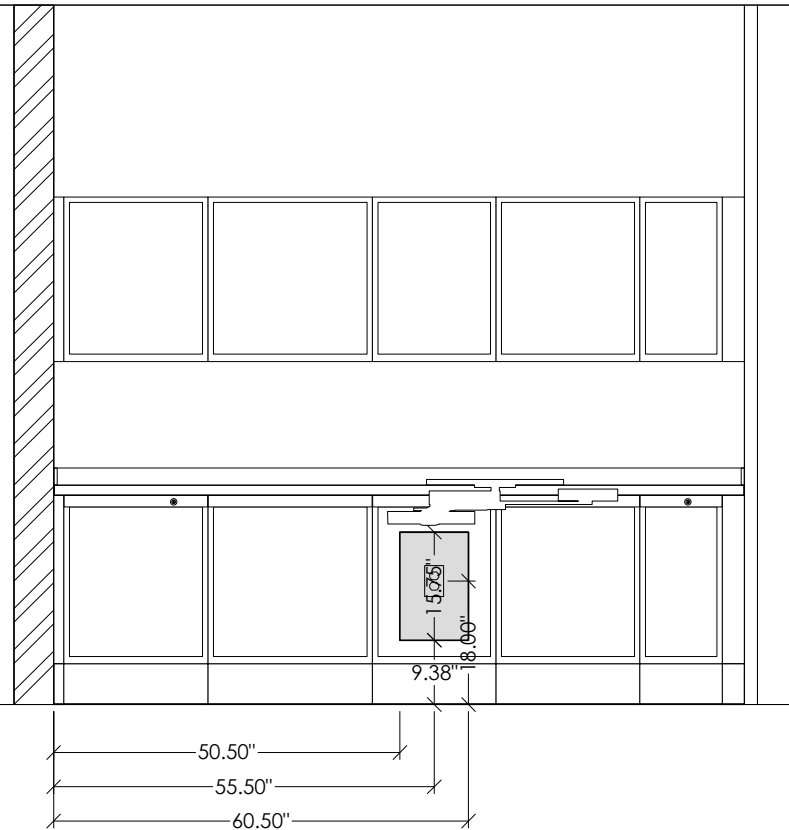
Drawing #: V162848

Rev: N

Plumbing and Electrical Specs.

Note: All local, state, and federal electrical & plumbing codes are to be followed when installing.

This drawing is the sole property of Midmark Corporation and is to be used for illustration only. Actual product appearance may vary.





www.midmark.com
drawings-casework@midmark.com
Phone: 1-800-MIDMARK

Project Name: **MSU**

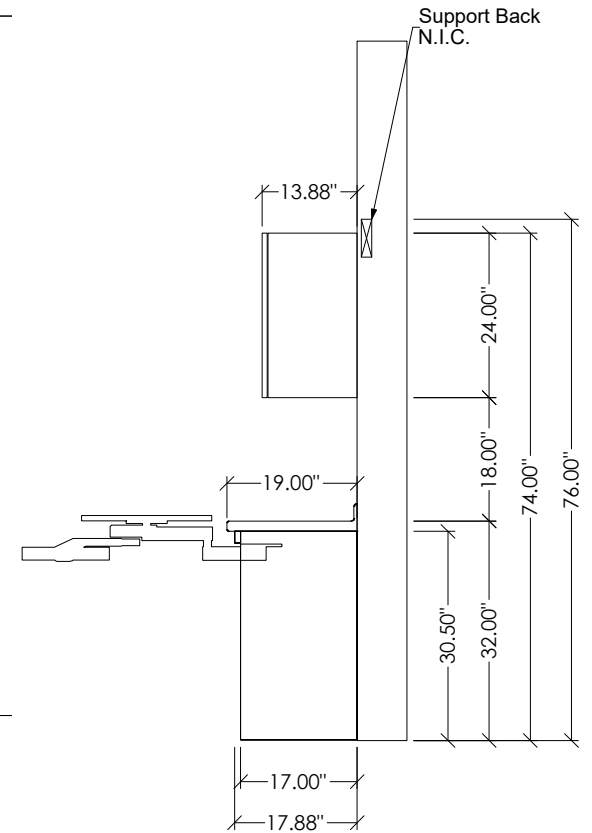
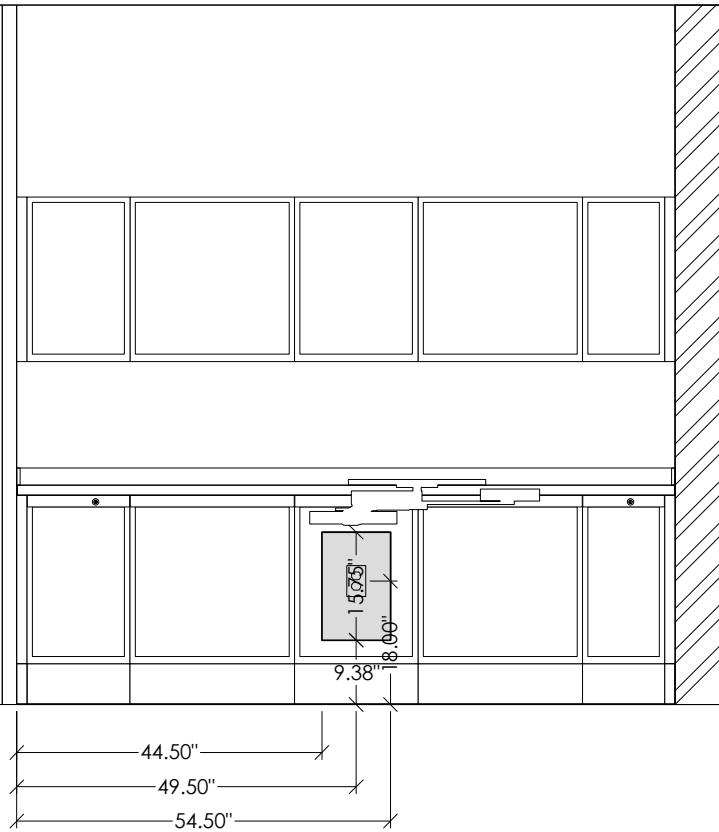
Drawing #: V162848

Rev: N

Plumbing and Electrical Specs.

Note: All local, state, and federal electrical & plumbing codes are to be followed when installing.

This drawing is the sole property of Midmark Corporation and is to be used for illustration only. Actual product appearance may vary.





www.midmark.com
drawings-casework@midmark.com
Phone: 1-800-MIDMARK

Project Name: **MSU**

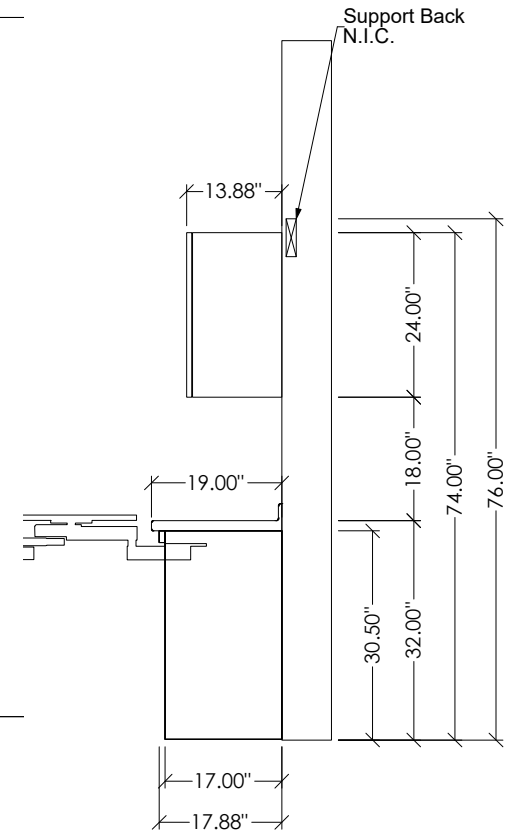
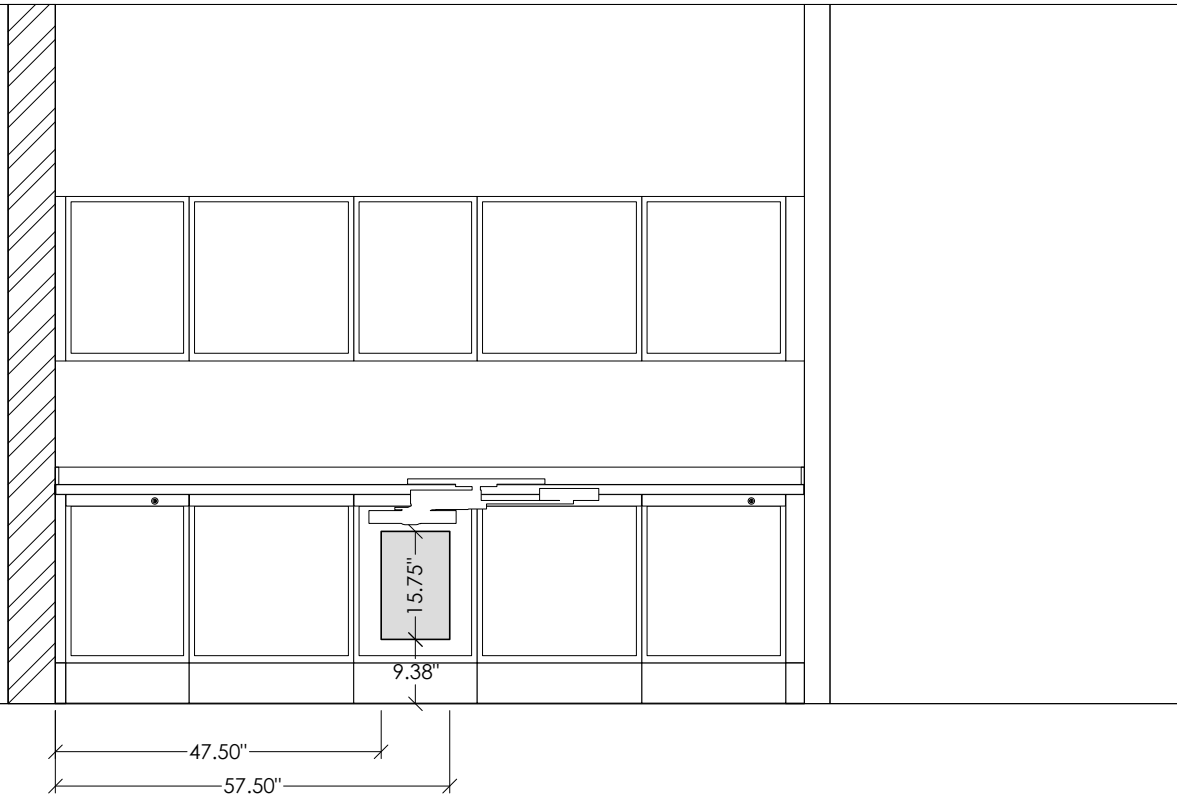
Drawing #: V162848

Rev: N

Plumbing and Electrical Specs.

Note: All local, state, and federal electrical & plumbing codes are to be followed when installing.

This drawing is the sole property of Midmark Corporation and is to be used for illustration only. Actual product appearance may vary.





www.midmark.com
drawings-casework@midmark.com
Phone: 1-800-MIDMARK

Project Name: **MSU**

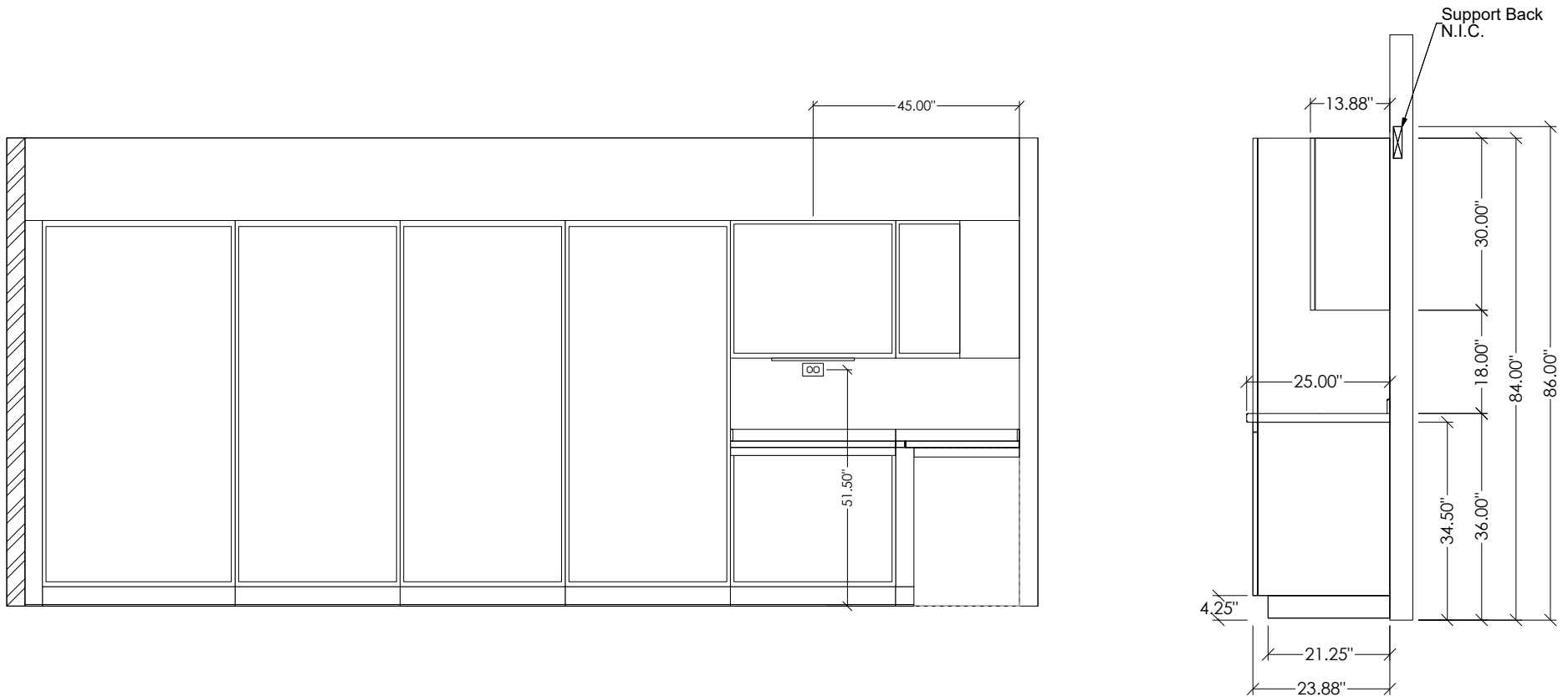
Drawing #: V162848

Rev: N

Plumbing and Electrical Specs.

Note: All local, state, and federal electrical & plumbing codes are to be followed when installing.

This drawing is the sole property of Midmark Corporation and is to be used for illustration only. Actual product appearance may vary.



Setup/Work Room



www.midmark.com
drawings-casework@midmark.com
Phone: 1-800-MIDMARK

Project Name: **MSU**

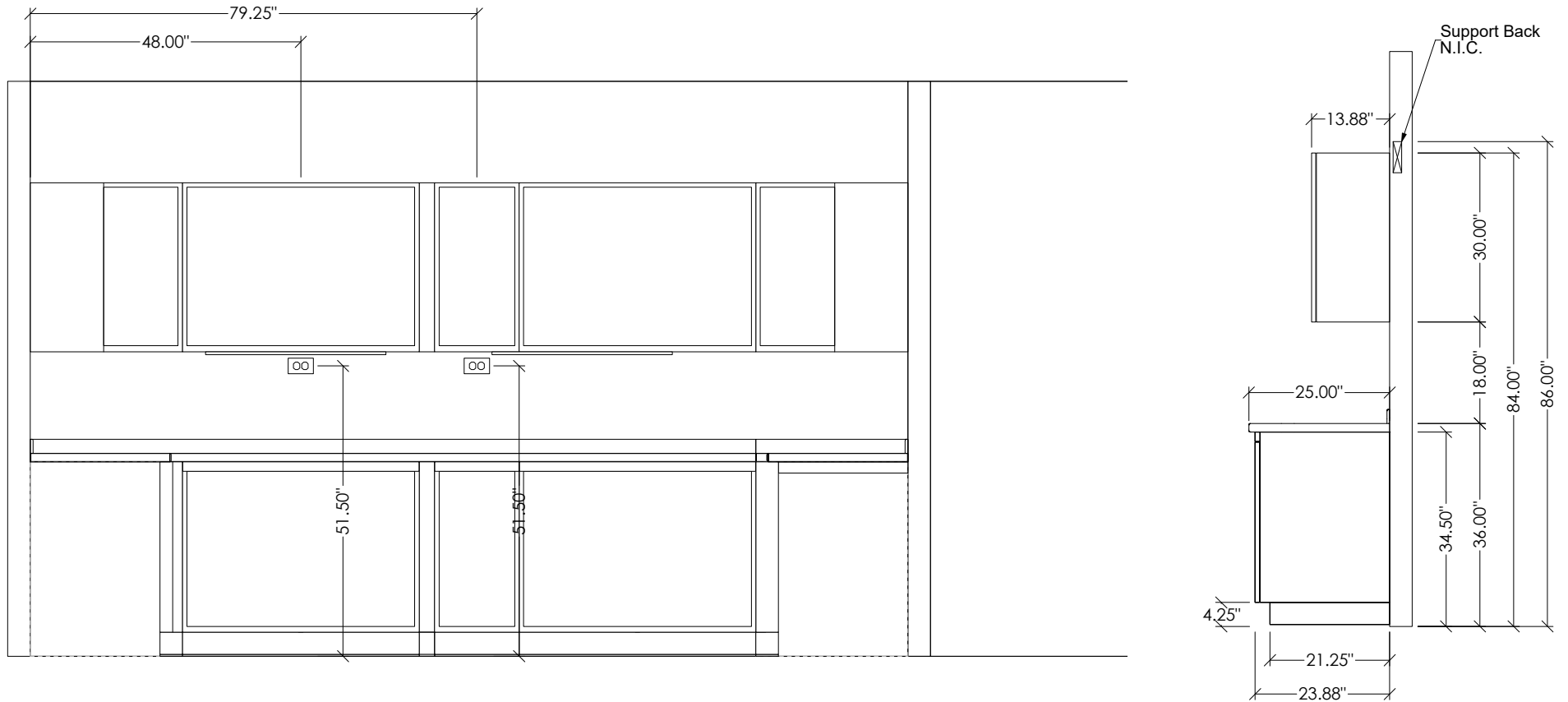
Drawing #: V162848

Rev: N

Plumbing and Electrical Specs.

Note: All local, state, and federal electrical & plumbing codes are to be followed when installing.

This drawing is the sole property of Midmark Corporation and is to be used for illustration only. Actual product appearance may vary.





www.midmark.com
drawings-casework@midmark.com
Phone: 1-800-MIDMARK

Project Name: **MSU**

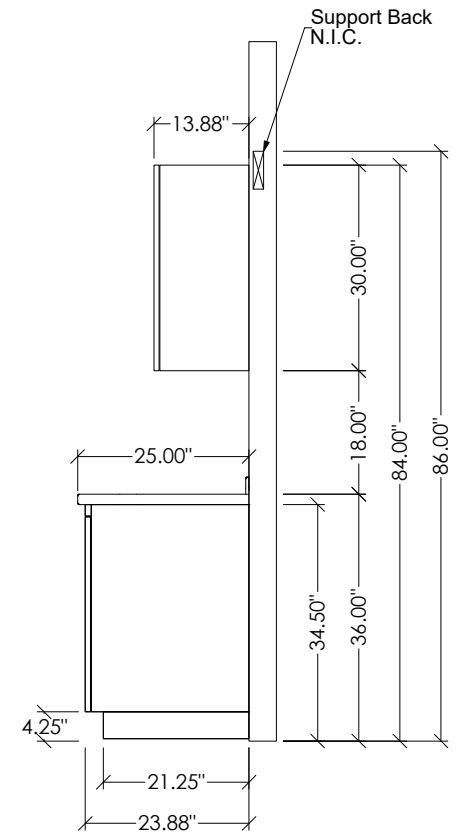
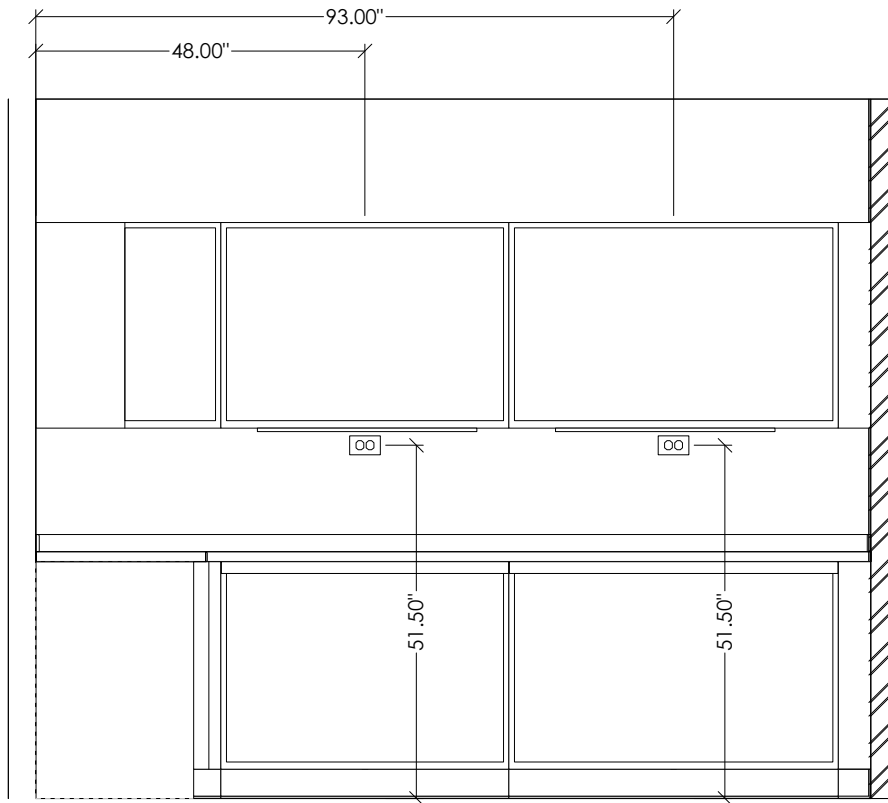
Drawing #: V162848

Rev: N

Plumbing and Electrical Specs.

Note: All local, state, and federal electrical & plumbing codes are to be followed when installing.

This drawing is the sole property of Midmark Corporation and is to be used for illustration only. Actual product appearance may vary.





www.midmark.com
drawings-casework@midmark.com
Phone: 1-800-MIDMARK

Project Name: **MSU**

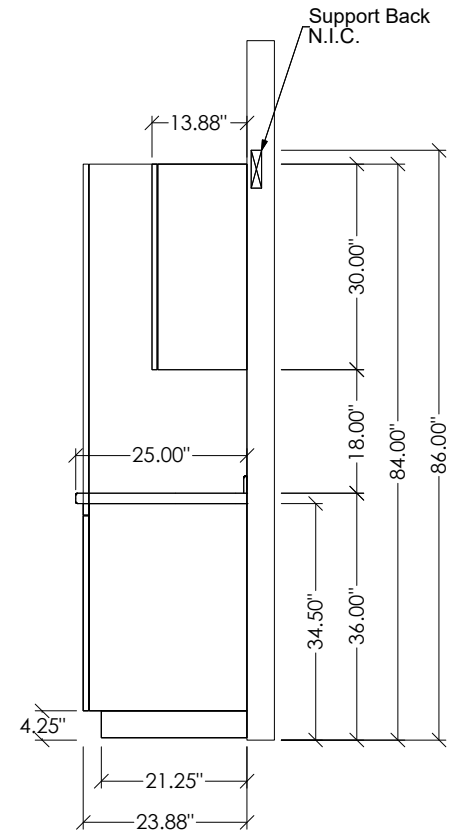
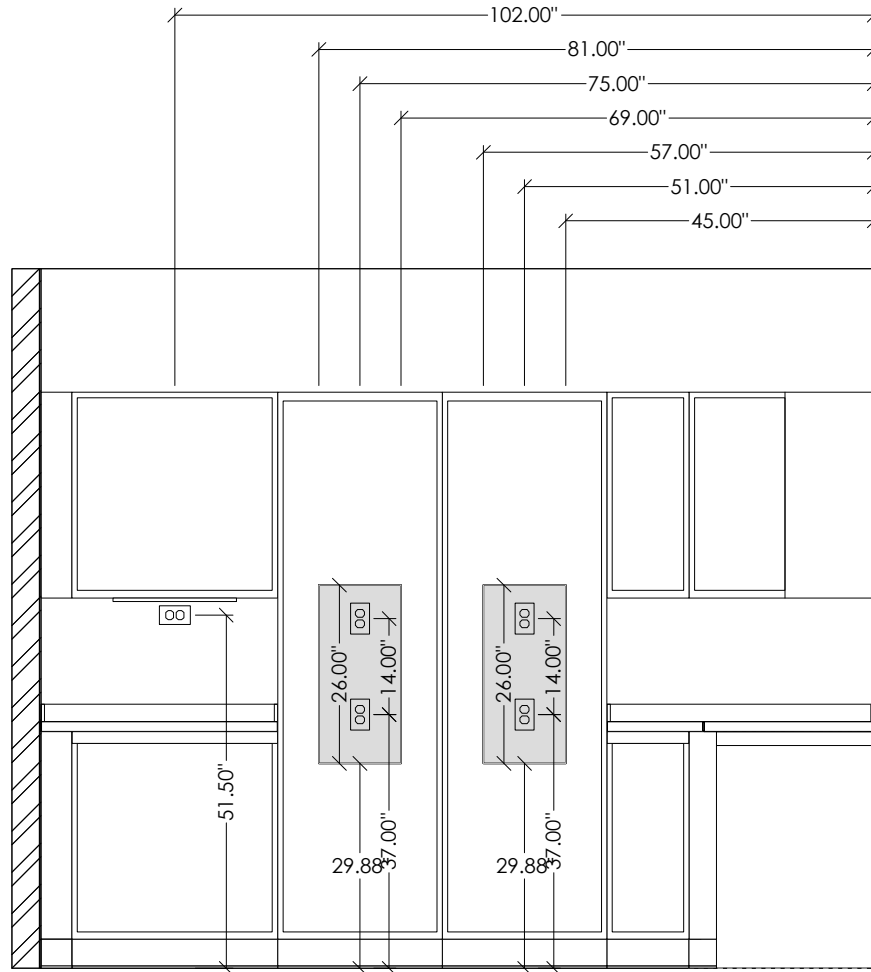
Drawing #: V162848

Rev: N

Plumbing and Electrical Specs.

This drawing is the sole property of Midmark Corporation and is to be used for illustration only. Actual product appearance may vary.

Note: All local, state, and federal electrical & plumbing codes are to be followed when installing.





www.midmark.com
drawings-casework@midmark.com
Phone: 1-800-MIDMARK

Project Name: **MSU**

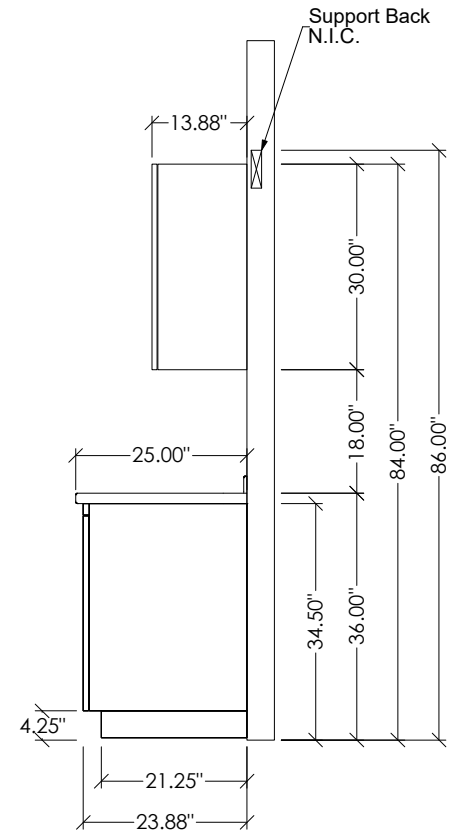
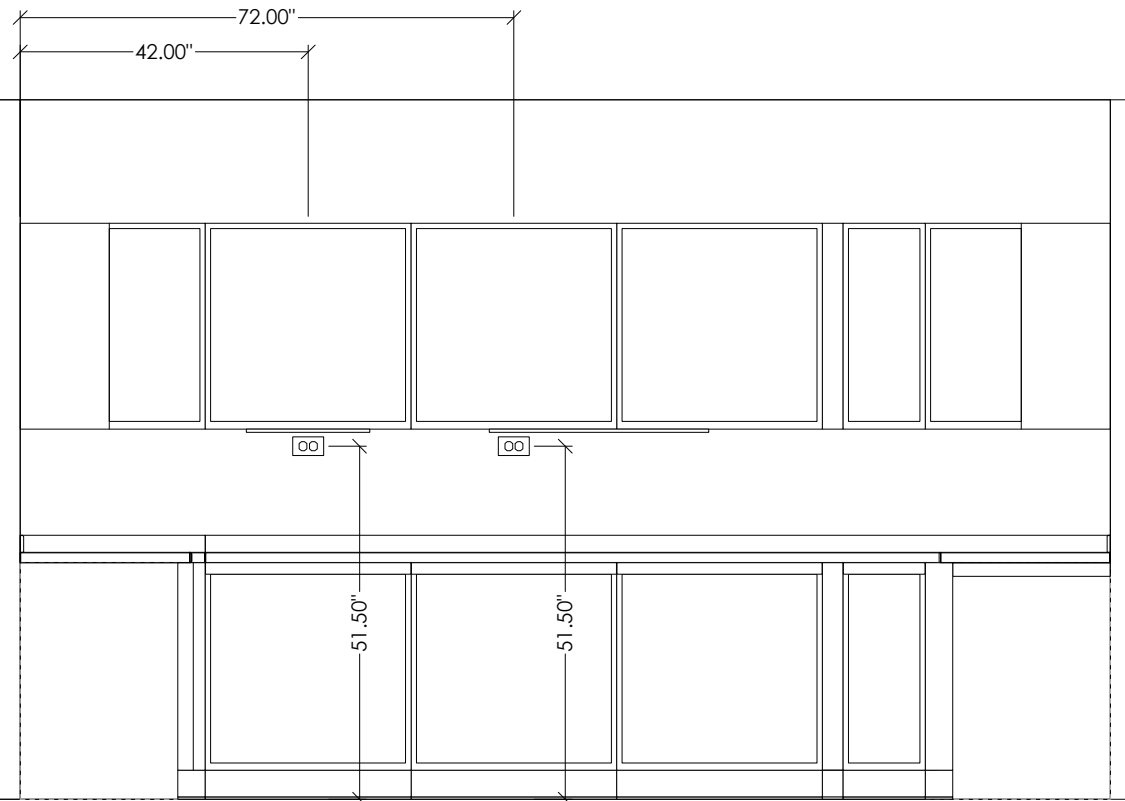
Drawing #: V162848

Rev: N

Plumbing and Electrical Specs.

Note: All local, state, and federal electrical & plumbing codes are to be followed when installing.

This drawing is the sole property of Midmark Corporation and is to be used for illustration only. Actual product appearance may vary.



Sterilization



www.midmark.com
drawings-casework@midmark.com
Phone: 1-800-MIDMARK

Project Name: **MSU**

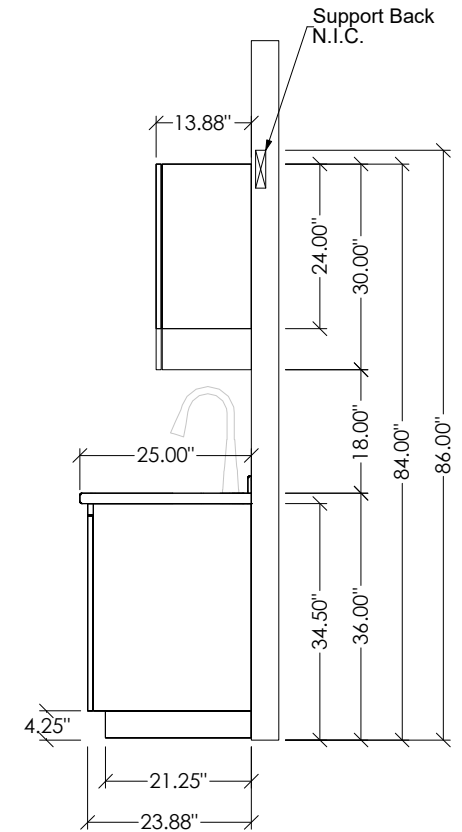
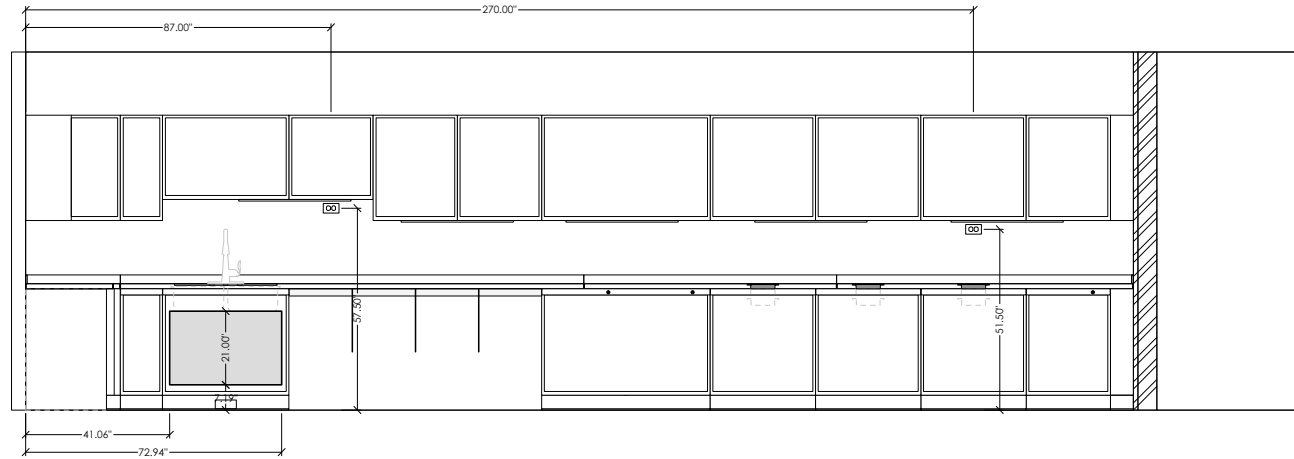
Drawing #: V162848

Rev: N

Plumbing and Electrical Specs.

Note: All local, state, and federal electrical & plumbing codes are to be followed when installing.

This drawing is the sole property of Midmark Corporation and is to be used for illustration only. Actual product appearance may vary.





www.midmark.com
drawings-casework@midmark.com
Phone: 1-800-MIDMARK

Project Name: **MSU**

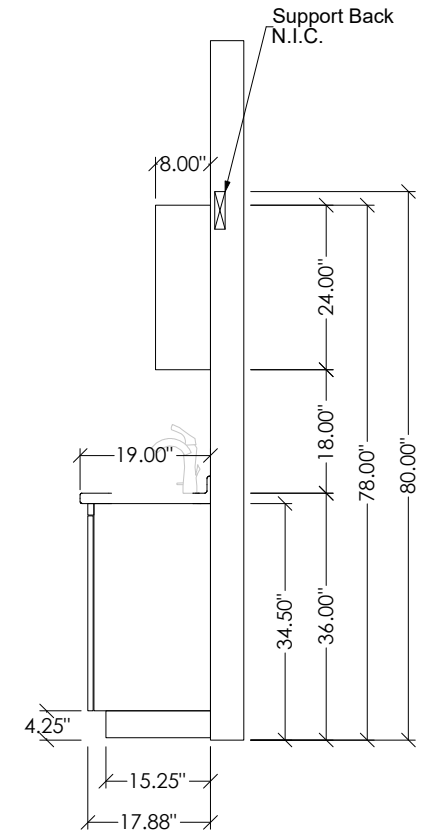
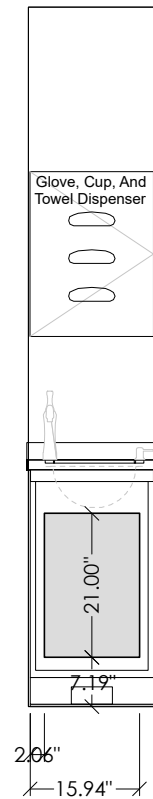
Drawing #: V162848

Rev: N

Plumbing and Electrical Specs.

This drawing is the sole property of Midmark Corporation and is to be used for illustration only. Actual product appearance may vary.

Note: All local, state, and federal electrical & plumbing codes are to be followed when installing.





www.midmark.com
drawings-casework@midmark.com
Phone: 1-800-MIDMARK

Project Name: **MSU**

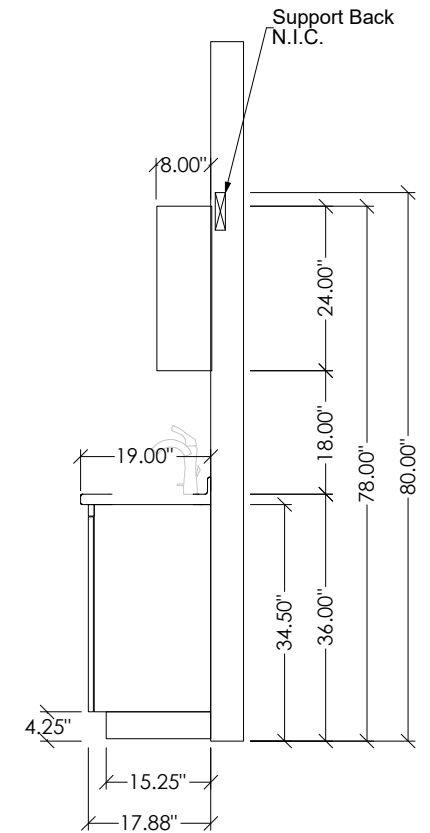
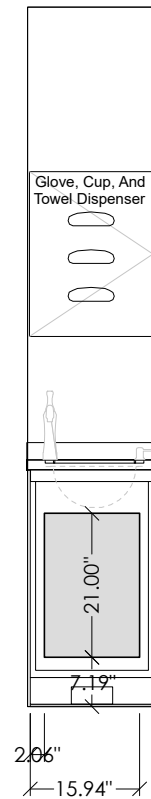
Drawing #: V162848

Rev: N

Plumbing and Electrical Specs.

Note: All local, state, and federal electrical & plumbing codes are to be followed when installing.

This drawing is the sole property of Midmark Corporation and is to be used for illustration only. Actual product appearance may vary.





www.midmark.com
drawings-casework@midmark.com
Phone: 1-800-MIDMARK

Project Name: **MSU**

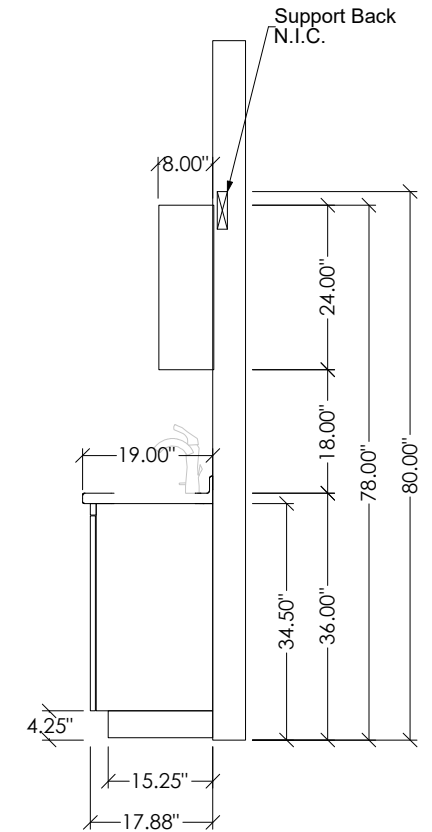
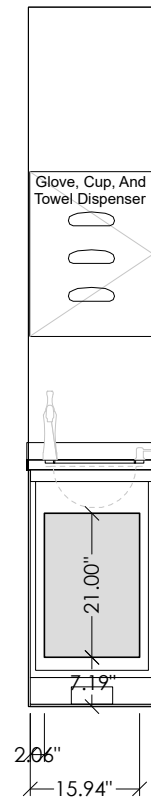
Drawing #: V162848

Rev: N

Plumbing and Electrical Specs.

Note: All local, state, and federal electrical & plumbing codes are to be followed when installing.

This drawing is the sole property of Midmark Corporation and is to be used for illustration only. Actual product appearance may vary.





www.midmark.com
drawings-casework@midmark.com
Phone: 1-800-MIDMARK

Project Name: **MSU**

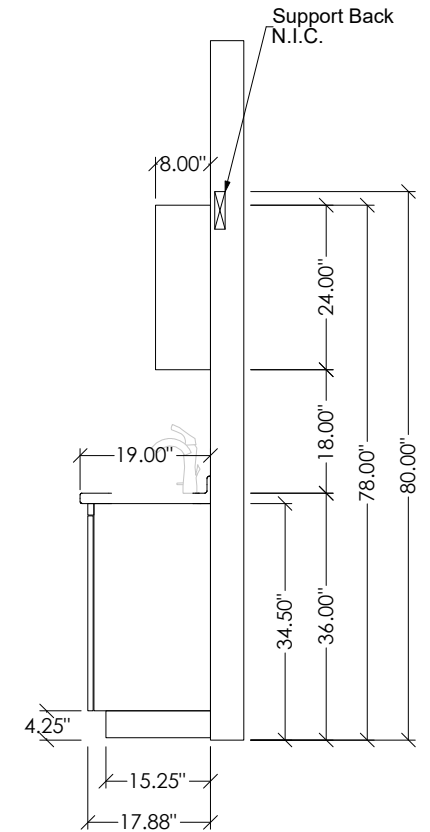
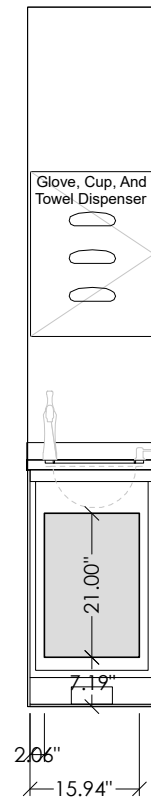
Drawing #: V162848

Rev: N

Plumbing and Electrical Specs.

This drawing is the sole property of Midmark Corporation and is to be used for illustration only. Actual product appearance may vary.

Note: All local, state, and federal electrical & plumbing codes are to be followed when installing.





www.midmark.com
drawings-casework@midmark.com
Phone: 1-800-MIDMARK

Project Name: **MSU**

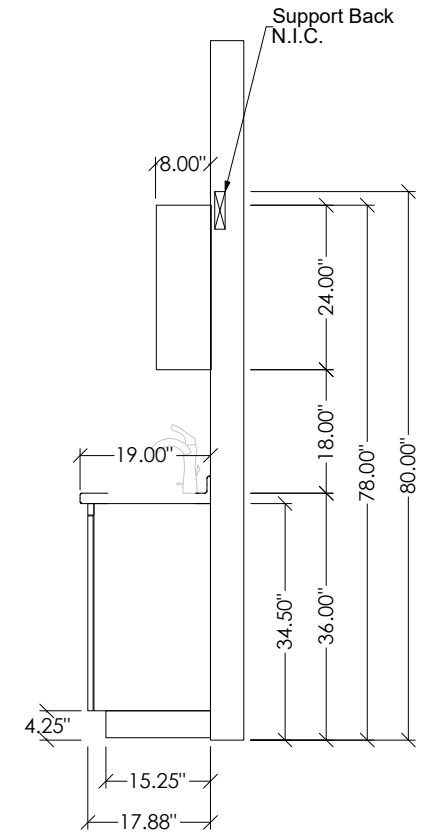
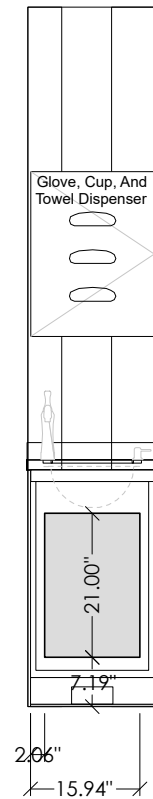
Drawing #: V162848

Rev: N

Plumbing and Electrical Specs.

Note: All local, state, and federal electrical & plumbing codes are to be followed when installing.

This drawing is the sole property of Midmark Corporation and is to be used for illustration only. Actual product appearance may vary.





www.midmark.com
drawings-casework@midmark.com
Phone: 1-800-MIDMARK

Project Name: **MSU**

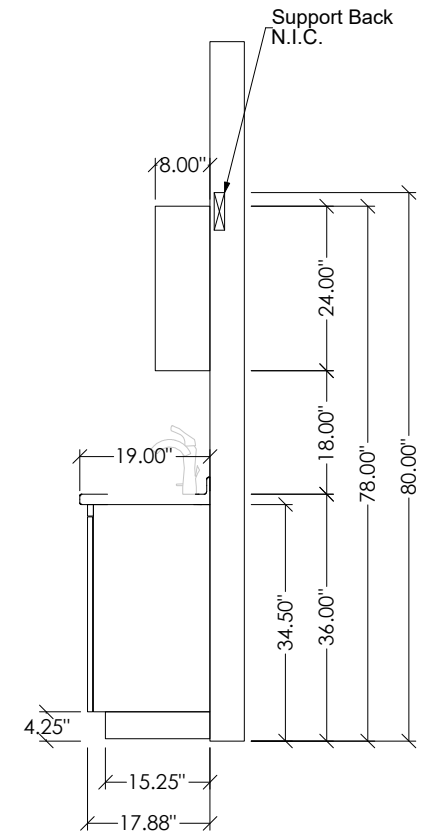
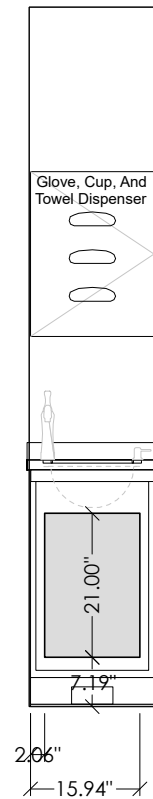
Drawing #: V162848

Rev: N

Plumbing and Electrical Specs.

Note: All local, state, and federal electrical & plumbing codes are to be followed when installing.

This drawing is the sole property of Midmark Corporation and is to be used for illustration only. Actual product appearance may vary.





www.midmark.com
drawings-casework@midmark.com
Phone: 1-800-MIDMARK

Project Name: **MSU**

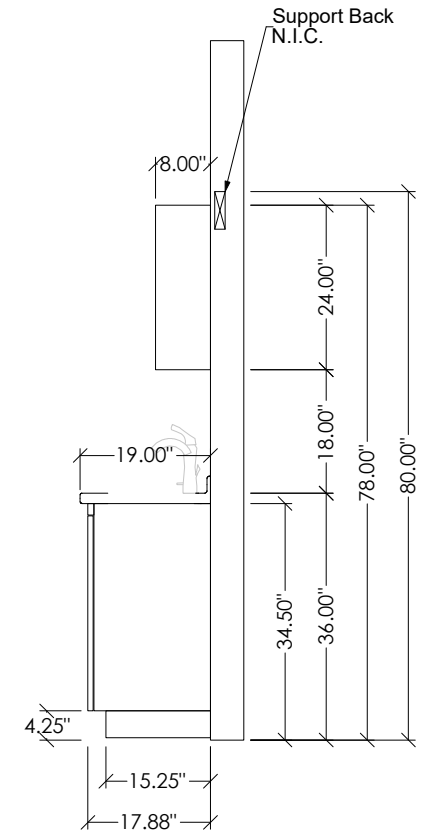
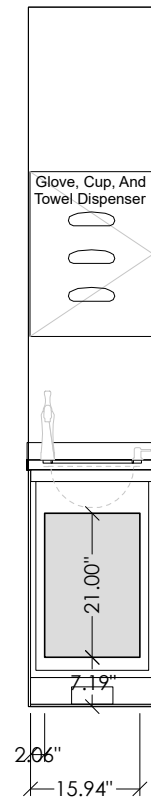
Drawing #: V162848

Rev: N

Plumbing and Electrical Specs.

Note: All local, state, and federal electrical & plumbing codes are to be followed when installing.

This drawing is the sole property of Midmark Corporation and is to be used for illustration only. Actual product appearance may vary.





www.midmark.com
drawings-casework@midmark.com
Phone: 1-800-MIDMARK

Project Name: **MSU**

Drawing #: V162848

Rev: N

Plumbing and Electrical Specs.

Note: All local, state, and federal electrical & plumbing codes are to be followed when installing.

This drawing is the sole property of Midmark Corporation and is to be used for illustration only. Actual product appearance may vary.

