

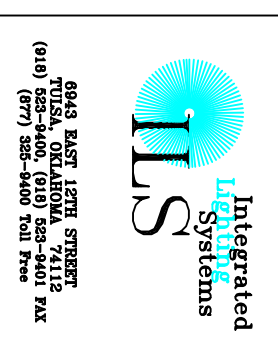


NO.	DATE	DESCRIPTION
1		
2		
3		
4		
5		
6		
7		
8		
9		
10		
11		
12		
13		
14		
15		
16		
17		
18		
19		
20		



**MIDWESTERN STATE UNIVERSITY**  
 Video Production Studio  
 Wichita Falls, Texas

**REES**  
 1000 W. UNIVERSITY BLVD.  
 WICHITA FALLS, TEXAS 76798-3000  
 TEL: 817.256.2000  
 FAX: 817.256.2000

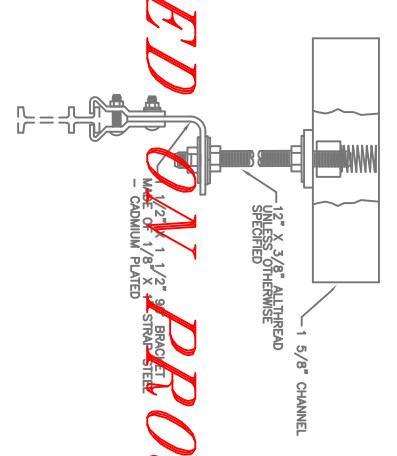


**DETAIL DRAWINGS**

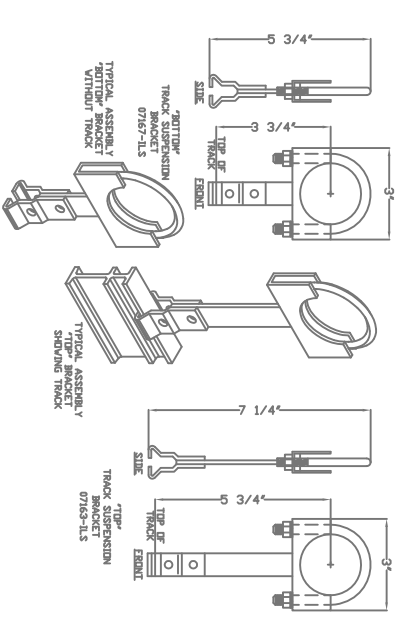
DATE	DESIGNED	CHECKED
10/20/06	TT/AM/2014	
DATE	DESIGNED	CHECKED
08/11	TT/AM/2014	
DATE	DESIGNED	CHECKED
TV.2		

**NOT USED ON PROJECT**

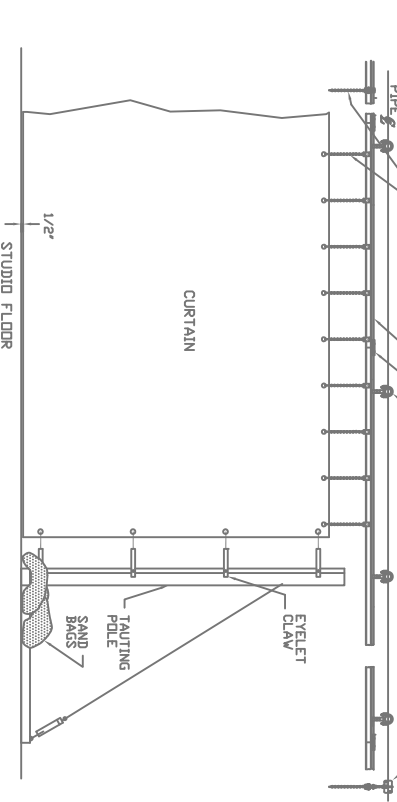
14 TRACK HANGING BRACKET



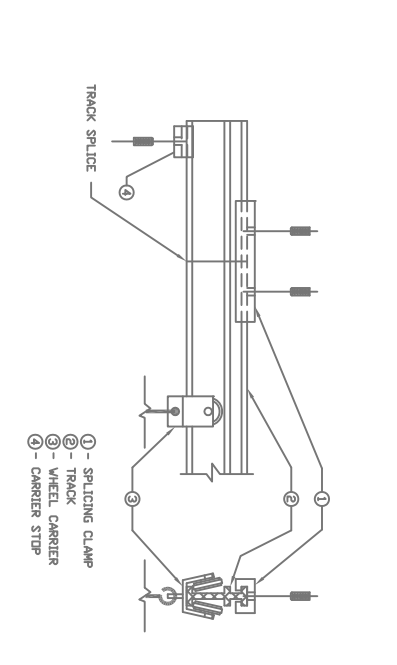
13 TRACK SUSPENSION BRACKET



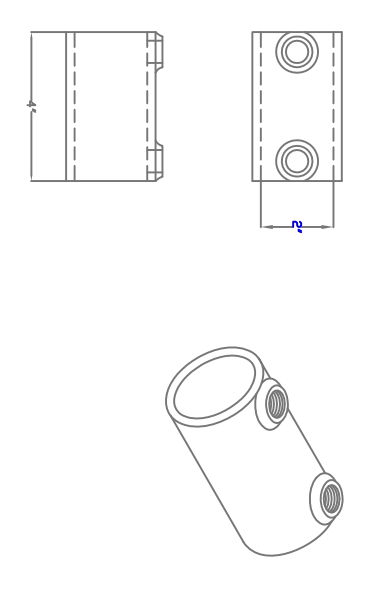
11 CURTAIN AND TRACK ELEVATION



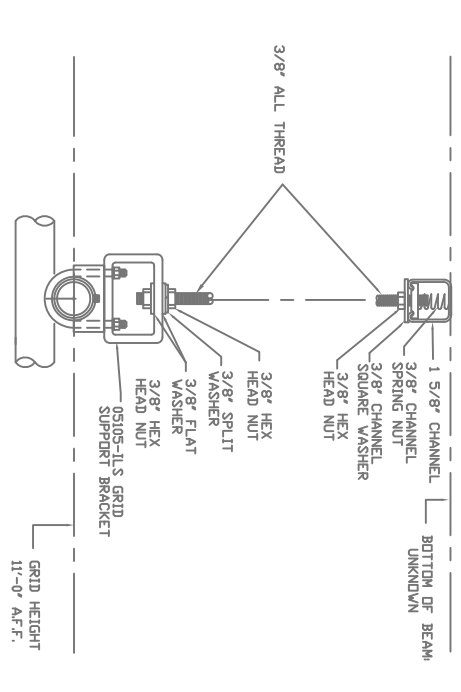
10 TRACK SPLICE AND CURTAIN CARRIER



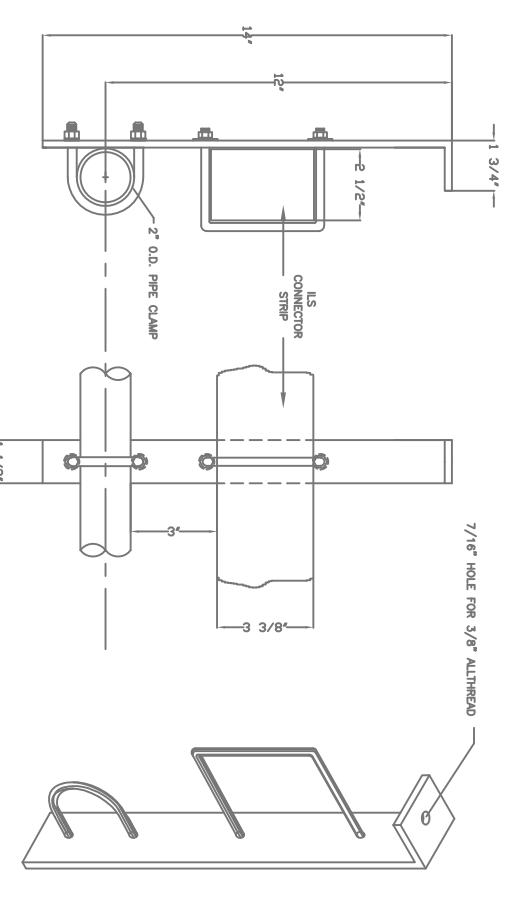
15 PIPE SPLICE COUPLING



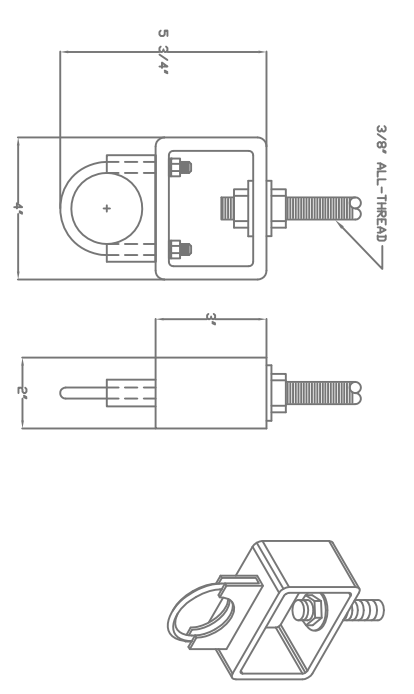
3 GRID SUPPORT SUSPENSION DETAIL



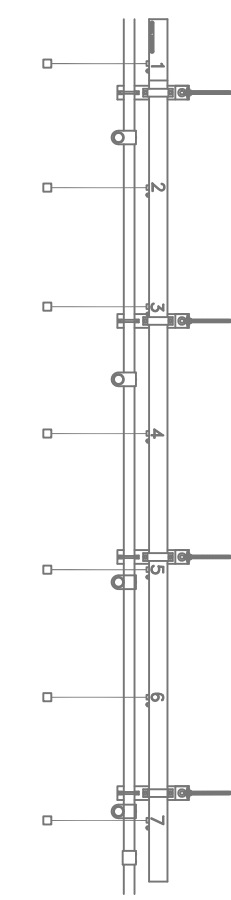
2 CONNECTOR STRIP BRACKET



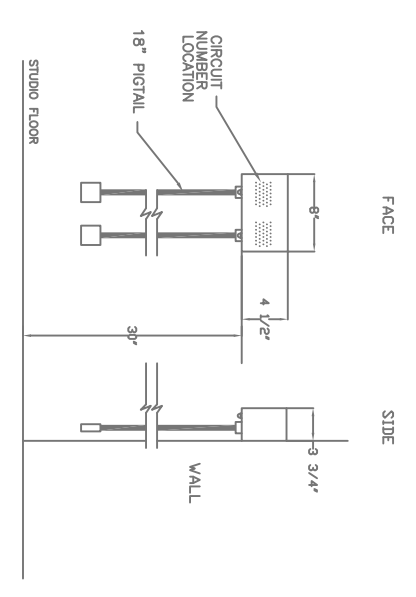
1 GRID SUPPORT BRACKET



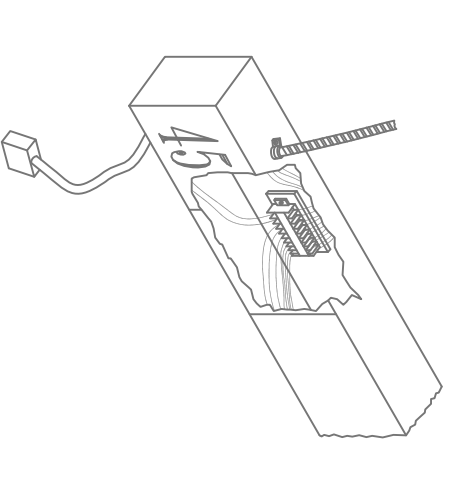
9 CONNECTOR STRIP ELEVATION



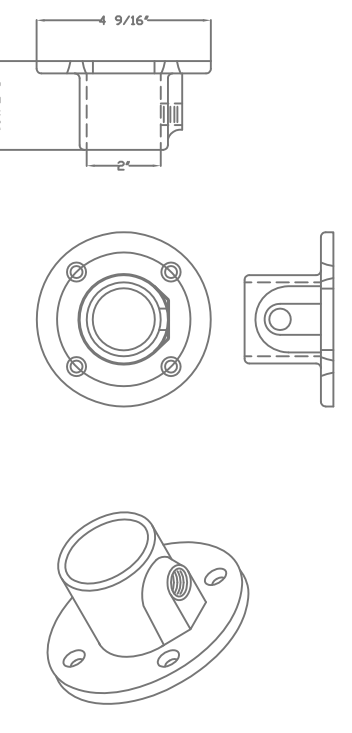
8 WALLBOY ELEVATION



7 TERMINAL COMPARTMENT DETAIL



6 WALL FLANGE BRACKET



5 CROSSOVER CADDLOCK BRACKET

